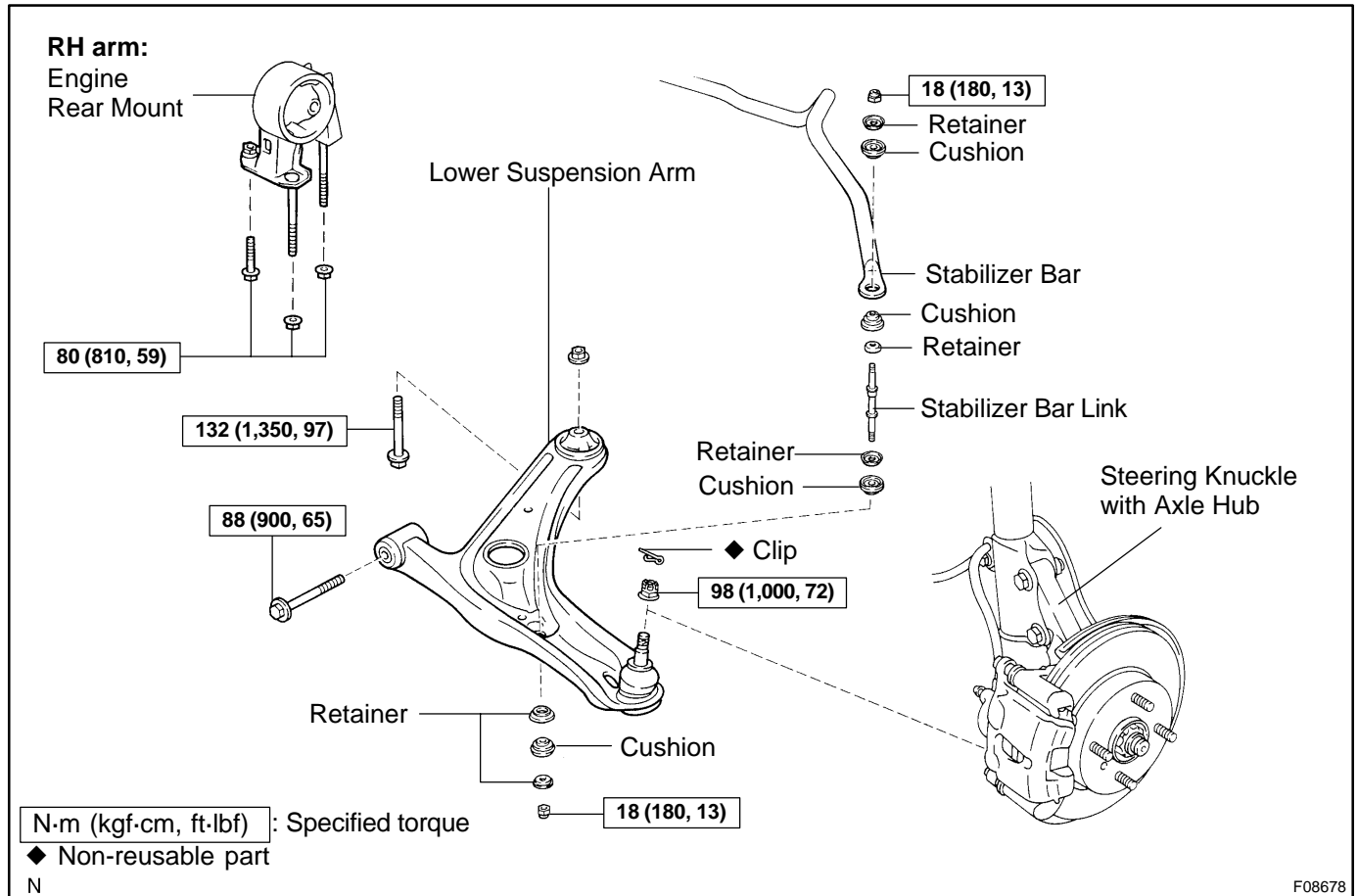


FRONT LOWER SUSPENSION ARM COMPONENTS

SA1L1-02



F08678