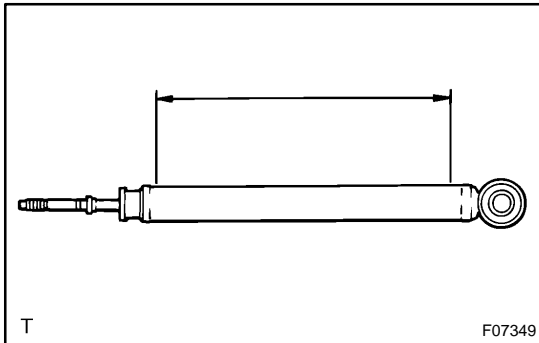


## DISPOSAL

### 1. FULLY EXTEND SHOCK ABSORBER ROD



### 2. DRILL HOLE TO DISCHARGE GAS FROM CYLINDER

Using a drill, make a hole in the cylinder as shown in the illustration to discharge the gas inside.

#### CAUTION:

- When drilling, chips may fly out, work carefully.
- The gas is colorless, odorless and non-poisonous.