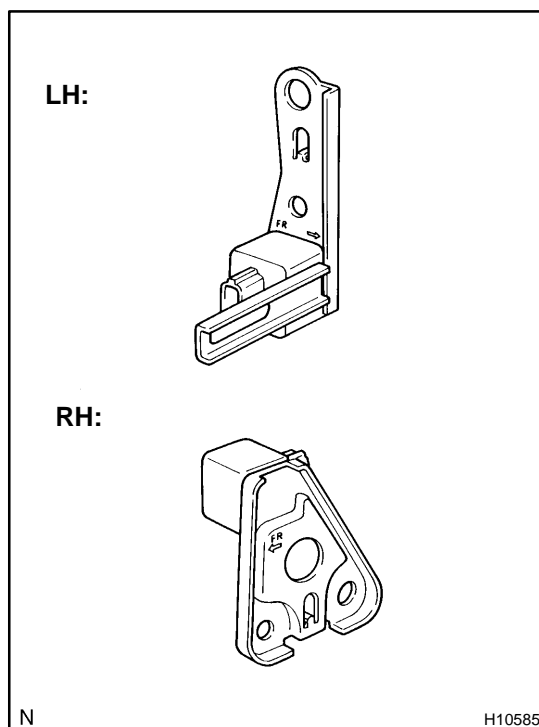


INSTALLATION

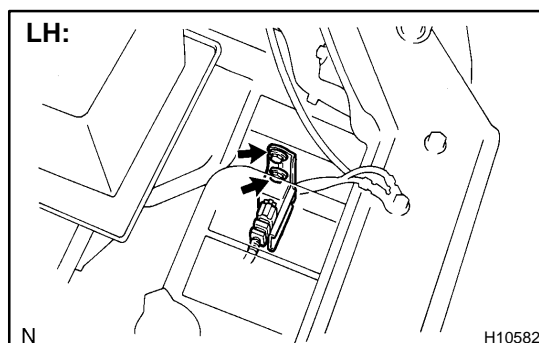
NOTICE:

- Connection of the connector is done after the sensor assembly has been installed.
- Make sure the sensor is installed with the specified torque.
- If the sensor has been dropped, or there are cracks, dents or other defects in the case, brackets or connector, replace the removed sensor with a new one.
- The front sensor is equipped with an electrical connection check mechanism. Be sure to lock this mechanism securely when connecting the connector. If the connector is not securely locked, a malfunction code will be detected by the diagnostic system.

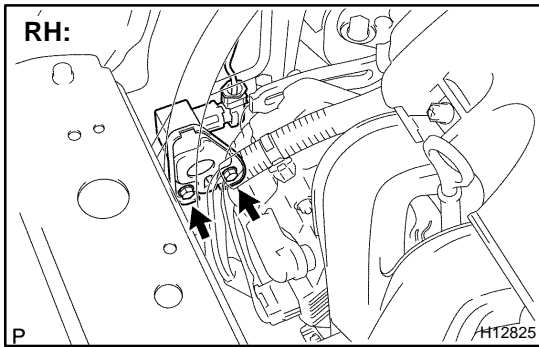


HINT:

Install the front airbag sensor with the arrow on the sensor facing toward the front of the vehicle.



1. **LH:**
INSTALL FRONT AIRBAG SENSOR
 - (a) Install the front airbag sensor LH with the 2 bolts.
Torque: 20 N·m (205 kgf-cm, 15 ft-lbf)
 - (b) Connect the connector.
 - (c) Install the air cleaner inlet with the bolt.



2. RH:
INSTALL FRONT AIRBAG SENSOR
- (a) Install the front airbag sensor RH with the 2 bolts.
Torque: 20 N·m (205 kgf-cm, 15 ft-lbf)
 - (b) Connect the connector.