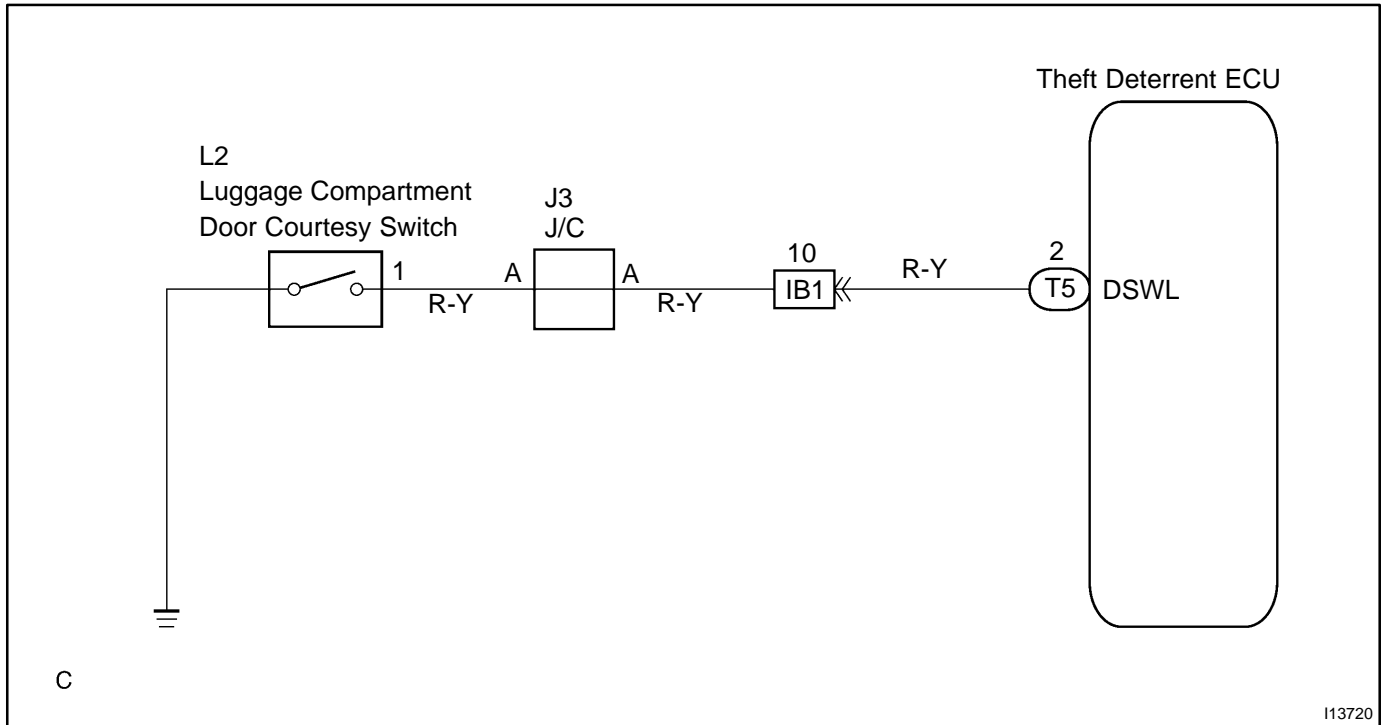


# Luggage Compartment Door Courtesy Switch Circuit

## CIRCUIT DESCRIPTION

The luggage compartment door courtesy switch goes ON when luggage compartment door is opened and goes OFF when the luggage compartment door is closed.

## WIRING DIAGRAM



## INSPECTION PROCEDURE

<b>1</b>	<b>Check operation of luggage compartment door courtesy light.</b>
----------	--

**CHECK:**

Check that luggage compartment door courtesy light goes OFF when luggage compartment door courtesy switch is pushed, and comes ON when switch is not pushed.

<b>NG</b>	<b>Check and repair luggage compartment door courtesy light circuit (See page <a href="#">BE-32</a> ).</b>
-----------	--

<b>OK</b>
-----------

<b>2</b>	<b>Check for open in harness and connector between theft deterrent ECU and luggage compartment door courtesy switch (See page <a href="#">IN-29</a> ).</b>
----------	--



**Check and replace theft deterrent ECU.\*1**

\*1: When there is a malfunction that the theft deterrent system cannot be set, proceed to the next numbered circuit inspection shown in problem symptoms table (See page [DI-412](#) ).