

Headlight Control Relay Circuit

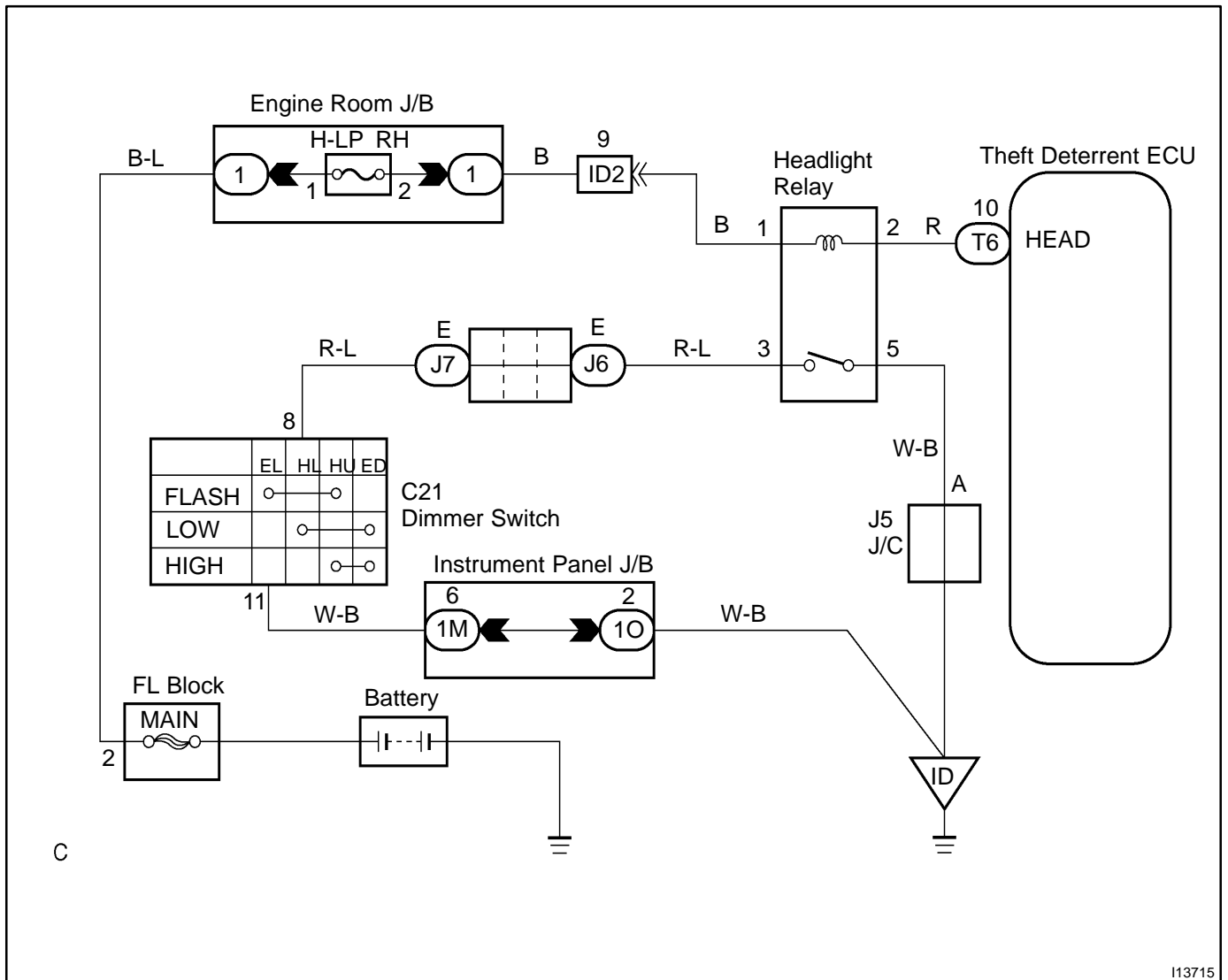
CIRCUIT DESCRIPTION

When the theft deterrent system is activated, it causes the Tr in the ECU to switch ON and OFF at approximately 0.4 sec. intervals. This switches the headlight control relay ON and OFF, thus flashing the headlights (See the wiring diagram below).

In this condition, if any of the following operations is done, the Tr in the ECU goes OFF and the headlight control relay switches OFF, thus stopping the headlights flashing:

- (1) Unlock the front LH or RH door with a key.
- (2) Turn the ignition switch to IG or ON position.
- (3) Unlock the doors with the wireless door lock control system.
- (4) Wait for approximately 60 seconds.

WIRING DIAGRAM



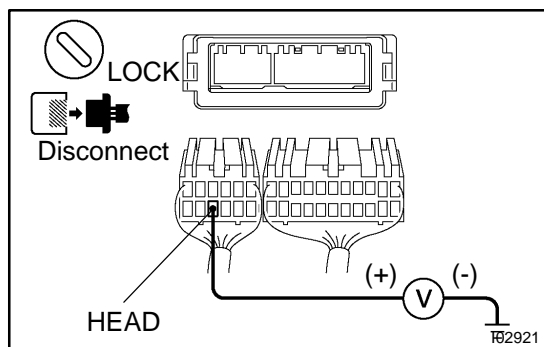
I13715

INSPECTION PROCEDURE

HINT:

The flow chart below is based on the premise that the headlights light up normally whenever the light control switch is operated. If headlight operation is not normal when the light control switch is operated, proceed to troubleshooting on page [BE-2](#).

- | | |
|----------|--|
| 1 | Check voltage between terminal HEAD of theft deterrent ECU connector and body ground. |
|----------|--|



PREPARATION:

- (a) Remove the glove compartment door.
- (b) Disconnect the theft deterrent ECU connector.

CHECK:

Measure voltage between terminal HEAD of theft deterrent ECU connector and body ground.

OK:

Voltage: 10 - 14 V

NG

Check and repair harness and connector between theft deterrent ECU and headlight control relay (See page [IN-29](#)).

OK

Check and replace theft deterrent ECU.