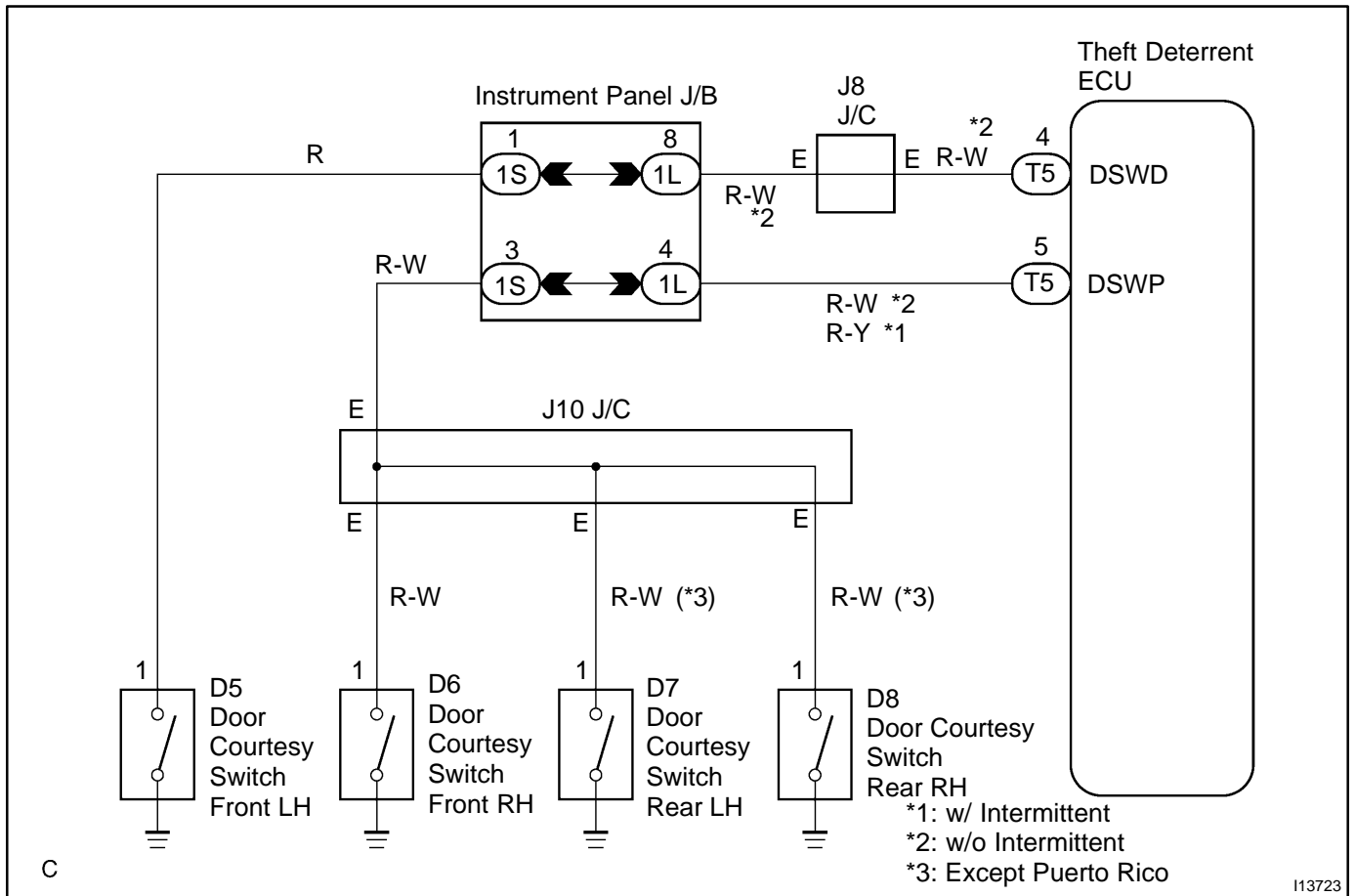


# Door Courtesy Switch Circuit

## CIRCUIT DESCRIPTION

The door courtesy switch goes ON when the door is opened and goes OFF when the door is closed.

## WIRING DIAGRAM

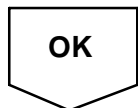


## INSPECTION PROCEDURE

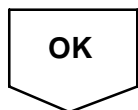
<b>1</b>	<b>Check operation of open door warning light.</b>
----------	--

### **CHECK:**

Check that open door warning light comes ON when each door is opened, and goes OFF when all doors are closed.



<b>2</b>	<b>Check for open in harness and connector between theft deterrent ECU and door courtesy switch (See page <a href="#">IN-29</a>).</b>
----------	---



<b>Check and replace theft deterrent ECU.*1</b>
---

\*1: When there is a malfunction that the theft deterrent system cannot be set, proceed to the next numbered circuit inspection shown in problem symptoms table (See page [DI-412](#) ).