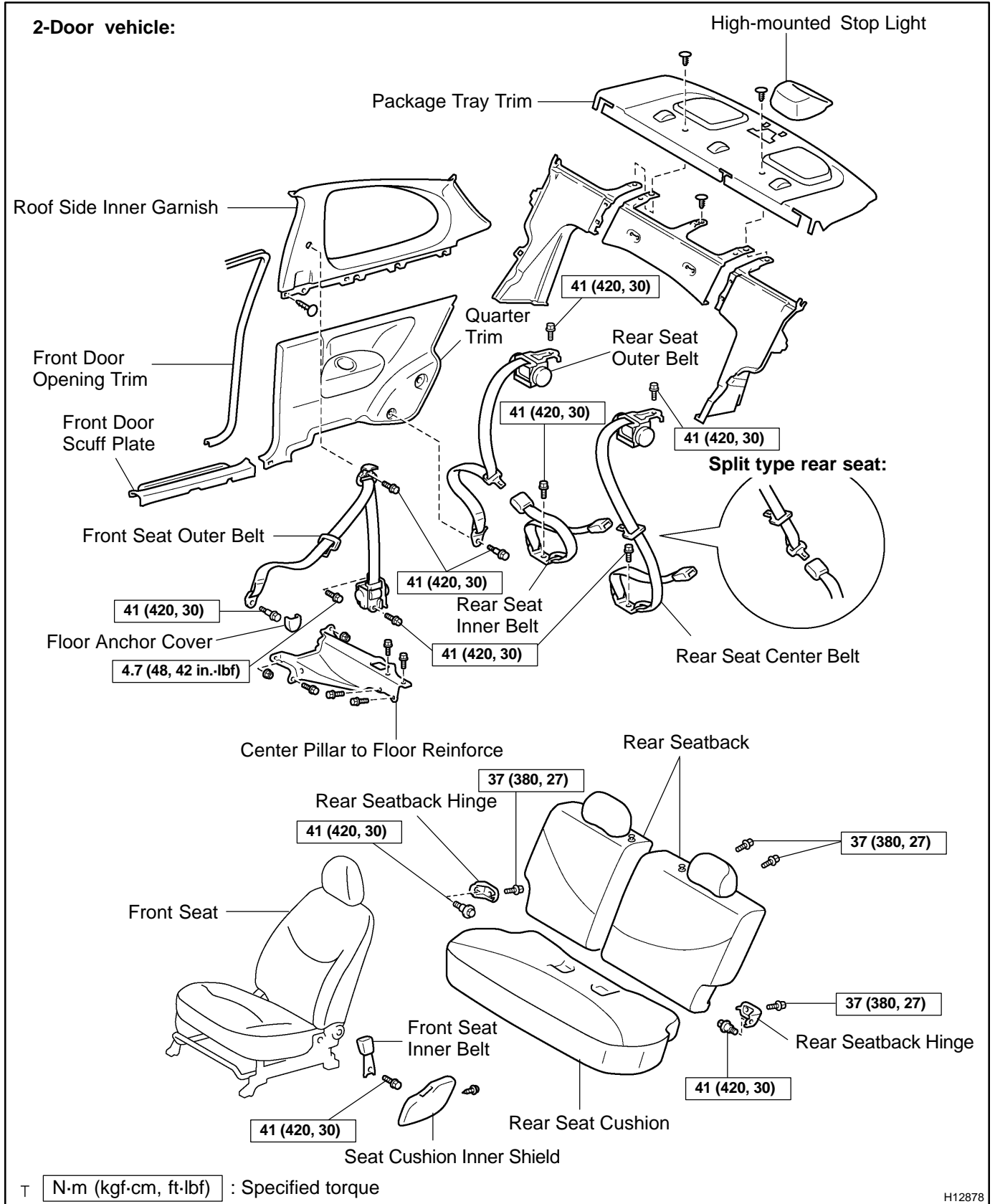
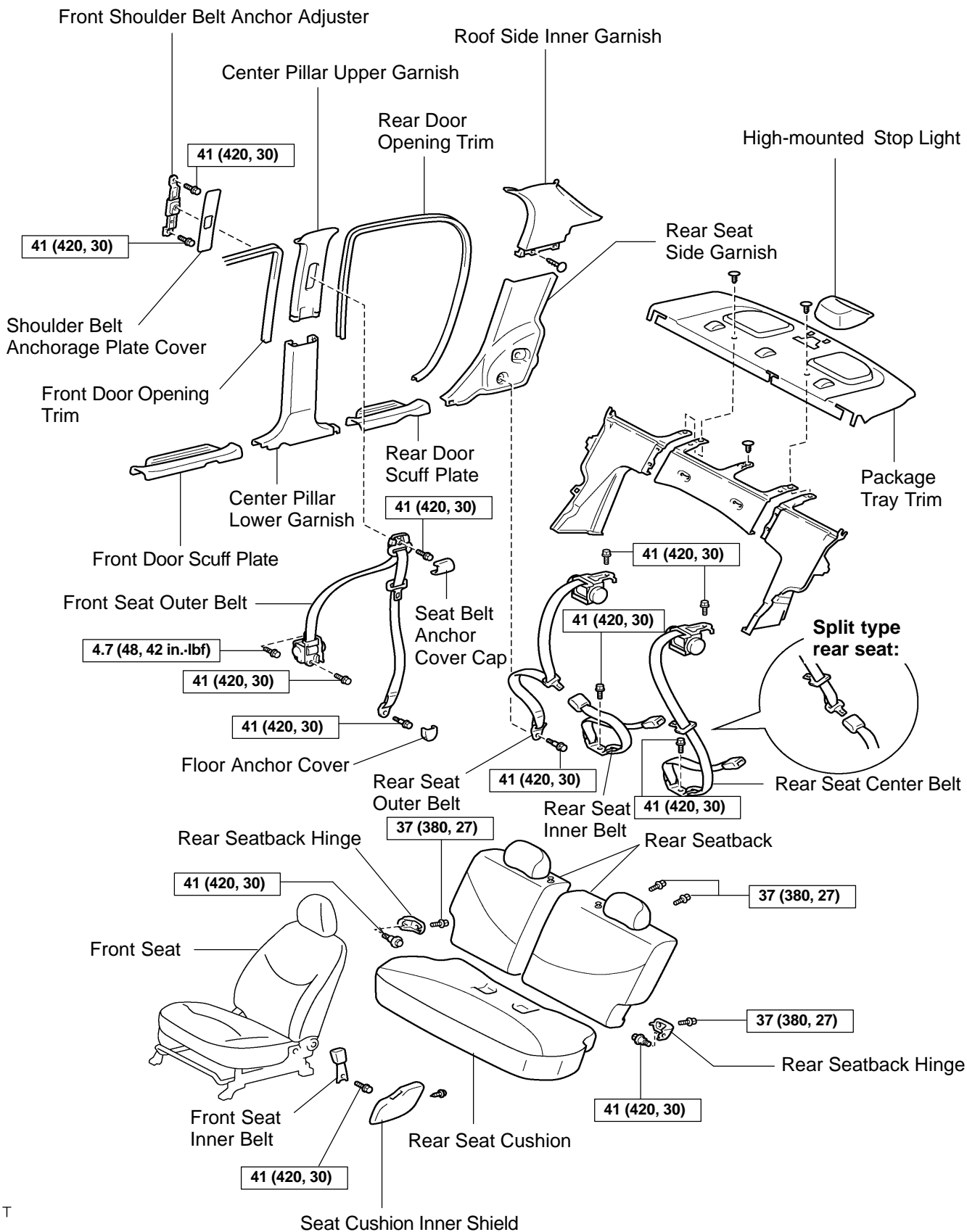


SEAT BELT COMPONENTS

BO2HF-03



4-Door vehicle:



T

N·m (kgf·cm, ft·lbf) : Specified torque

H13427