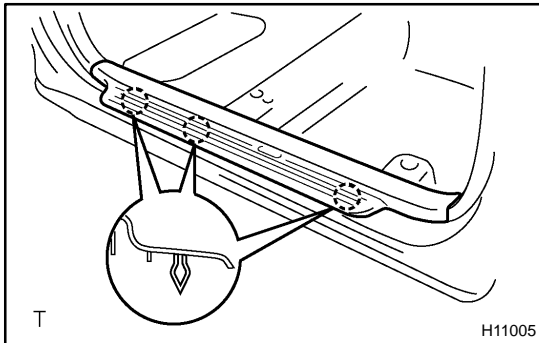


# SEAT BELT PRETENSIONER REMOVAL

BO2UT-01

## NOTICE:

- If the wiring connector of the seat belt pretensioner is disconnected with the ignition switch at ON or ACC, diagnostic trouble codes will be recorded.
- Never use seat belt pretensioner from another vehicle. When replacing parts, replace them with new parts.

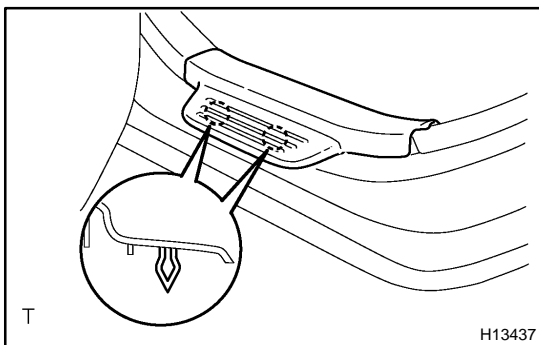


### 1. REMOVE FRONT DOOR SCUFF PLATE

Insert a screwdriver between the front door scuff plate and body to pry it out.

#### HINT:

Tape the screwdriver tip before use.



### 2. 4-Door vehicle:

#### REMOVE REAR DOOR SCUFF PLATE

Insert a screwdriver between the rear door scuff plate and body to pry it out.

#### HINT:

Tape the screwdriver tip before use.

### 3. 2-Door vehicle:

#### REMOVE FRONT DOOR OPENING TRIM

Remove the front door opening trim except cowl side trim part.

### 4. 2-Door vehicle:

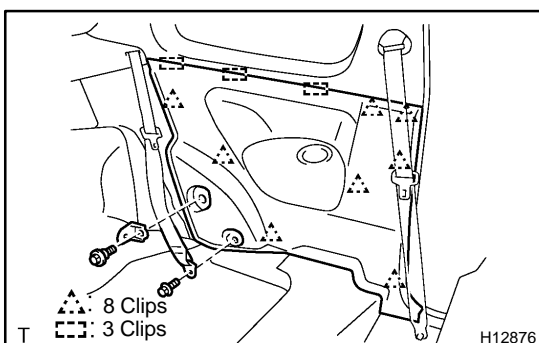
#### REMOVE REAR SEAT CUSHION

(See page [BO-101](#) or [BO-106](#))

### 5. 2-Door vehicle:

#### REMOVE REAR SEATBACK

(See page [BO-101](#) or [BO-106](#))



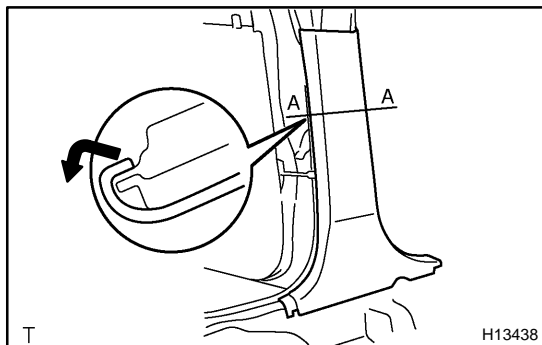
### 6. 2-Door vehicle:

#### REMOVE QUARTER TRIM

- Remove the bolt and rear seat outer belt floor anchor.
- w/ Split type rear seat:  
Remove the bolt and seatback hinge.
- Insert a screwdriver between the quarter trim and body to pry it.

#### HINT:

Tape the screwdriver tip before use.



**7. 4-Door vehicle:  
REMOVE CENTER PILLAR LOWER GARNISH**

- (a) Using a screwdriver, remove the front seat outer belt floor anchor cover cap.

HINT:

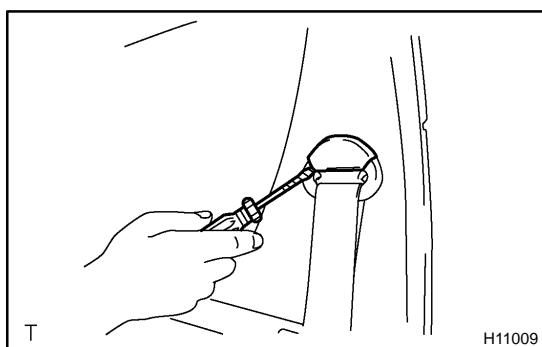
Tape the screwdriver tip before use.

- (b) Remove the bolt and front seat outer belt floor anchor.

- (c) Insert a screwdriver between the garnish and body to pry it out.

HINT:

Tape the screwdriver tip before use.



**8. 2-Door vehicle:  
REMOVE ROOF SIDE INNER GARNISH**

- (a) Using a screwdriver, open the seat belt shoulder anchor cover cap.

HINT:

Tape the screwdriver tip before use.

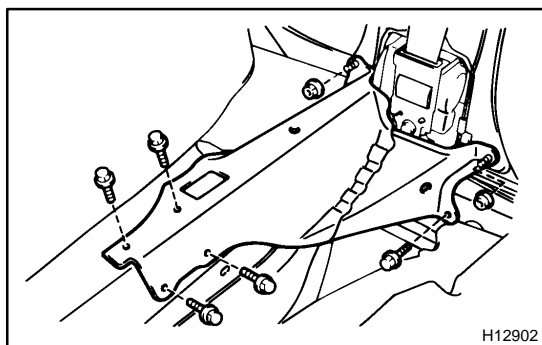
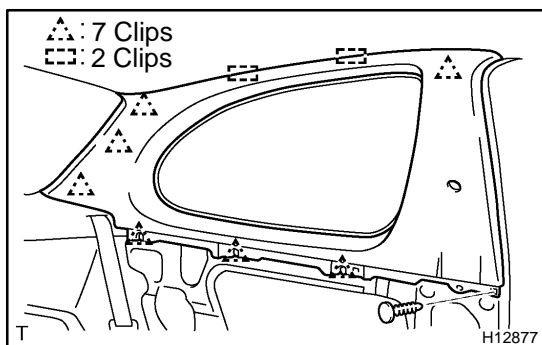
- (b) Remove the bolt and front seat outer belt shoulder anchor.

- (c) Remove the clip.

- (d) Insert a screwdriver between the roof side inner garnish and body to pry it out.

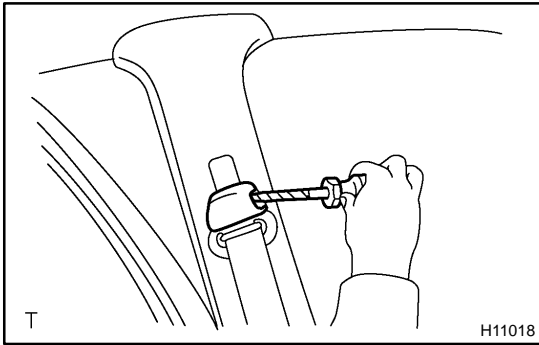
HINT:

Tape the screwdriver tip before use.



**9. 2-Door vehicle:  
REMOVE CENTER PILLAR TO FLOOR REINFORCEMENT**

Remove the 5 bolts, 2 nuts and center pillar to floor reinforcement.

**10. REMOVE FRONT SEAT OUTER BELT****CAUTION:**

Never disassemble the front seat outer belt.

**NOTICE:**

When removing the retractor of front seat outer belt, take care not to pull the seat belt pretensioner wire harness.

## (a) 4-Door vehicle:

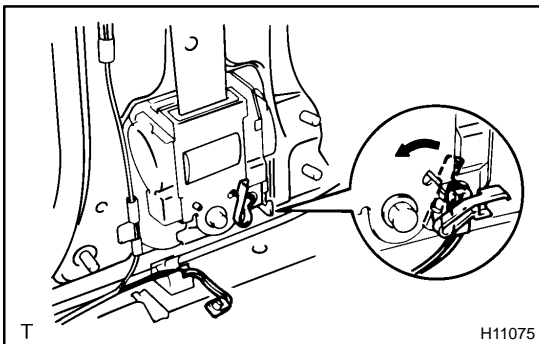
Using a screwdriver, remove the seat belt shoulder anchor cover cap.

**HINT:**

Tape the screwdriver tip before use.

## (b) 4-Door vehicle:

Remove the bolt and front seat outer belt shoulder anchor.



## (c) Disconnect the pretensioner connector as shown in the illustration.

**CAUTION:**

When removing the seat belt pretensioner, work must be started 90 seconds after the ignition switch is turned to the "LOCK" position and the negative (-) terminal cable is disconnected from the battery.

## (d) Remove the 2 bolts and retractor of front seat outer belt.