

INSTALLATION

NOTICE:

- Never use seat belt pretensioner from another vehicle. When replacing parts, replace them with new parts.
- Make sure that the front seat outer belt is installed with the specified torque.
- If the front seat outer belt has been dropped, or there are cracks, dents or other defects in the case or connector, replace the front seat outer belt with a new one.
- When installing the front seat outer belt, take care that the wiring does not interfere with other parts and is not pinched between other parts.

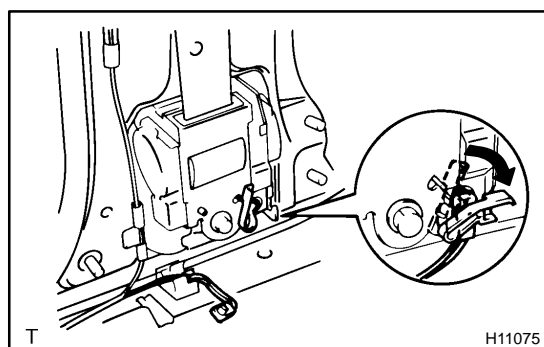
1. INSTALL FRONT SEAT OUTER BELT

- (a) Install the retractor of front seat outer belt with the 2 bolts.

Torque:

Upper bolt: 4.7 N-m (48 kgf-cm, 42 in.-lbf)

Lower bolt: 41 N-m (420 kgf-cm, 30 ft-lbf)

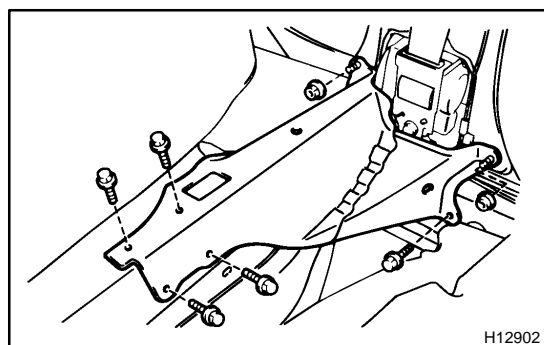


- (b) Connect the pretensioner connector as shown in the illustration.

- (c) 4-Door vehicle:

Install the front seat shoulder anchor with the bolt.

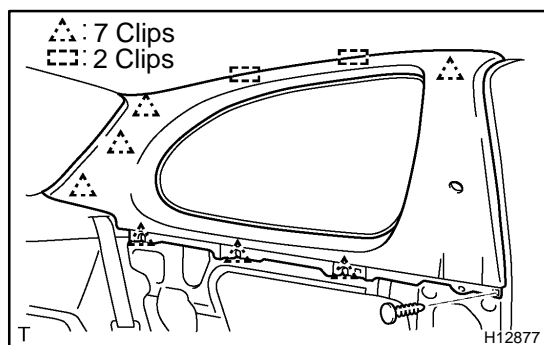
Torque: 41 N-m (420 kgf-cm, 30 ft-lbf)



2. 2-Door vehicle:

INSTALL CENTER PILLAR TO FLOOR REINFORCEMENT

Install the center pillar to floor reinforcement with the 5 bolts and 2 nuts.



3. 2-Door vehicle:

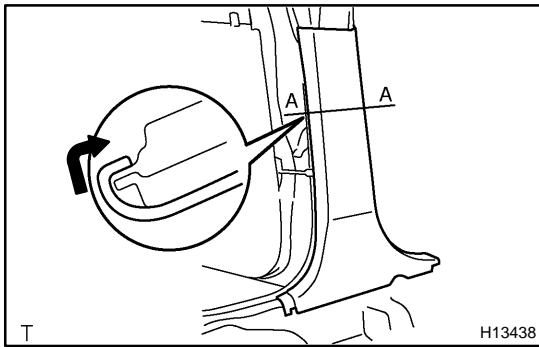
INSTALL ROOF SIDE INNER GARNISH

- (a) Install the roof side inner garnish to the body.

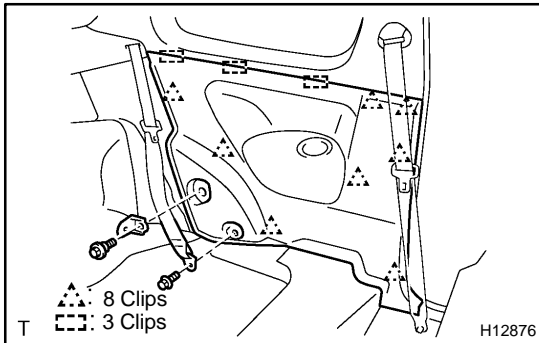
- (b) Install the clip.

- (c) Install the front seat outer belt shoulder anchor with the bolt.

Torque: 41 N-m (420 kgf-cm, 30 ft-lbf)



4. **4-Door vehicle:**
INSTALL CENTER PILLAR LOWER GARNISH
- (a) Install the center pillar lower garnish to the body.
 - (b) Install the front seat outer belt floor anchor with the bolt.
Torque: 41 N·m (420 kgf-cm, 30 ft-lbf)
 - (c) Install the front seat outer belt floor anchor cover cap.



5. **2-Door vehicle:**
INSTALL QUARTER TRIM
- (a) Install the quarter trim to the body.
 - (b) w/ Split type rear seat:
 Install the rear seatback hinge with the bolt.
Torque: 41 N·m (420 kgf-cm, 30 ft-lbf)
 - (c) Install the rear seat outer belt floor anchor with the bolt.
Torque: 41 N·m (420 kgf-cm, 30 ft-lbf)
6. **2-Door vehicle:**
INSTALL REAR SEATBACK
 (See page [BO-104](#) or [BO-109](#))
7. **2-Door vehicle:**
INSTALL REAR SEAT CUSHION
 (See page [BO-104](#) or [BO-109](#))
8. **2-Door vehicle:**
INSTALL FRONT DOOR OPENING TRIM
9. **4-Door vehicle:**
INSTALL REAR DOOR SCUFF PLATE
10. **INSTALL FRONT DOOR SCUFF PLATE**