

REMOVAL

1. REMOVE FRONT DOOR SCUFF PLATE

- (a) Insert a screwdriver between the front door scuff plate and body to pry it out.

HINT:

Tape the screwdriver tip before use.

- (b) Use the same manner described above to the other side.

2. REMOVE FRONT DOOR OPENING TRIMS

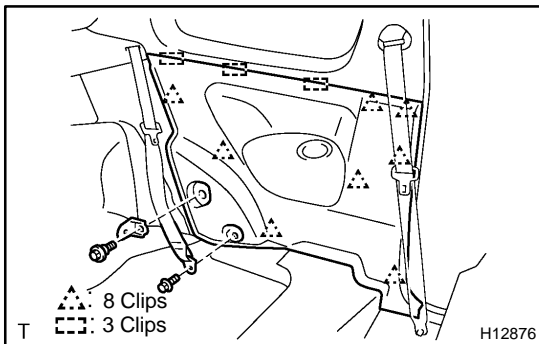
Remove the front door opening trims except cowl side trim parts.

3. REMOVE REAR SEAT CUSHION

(See page [BO-101](#) or [BO-106](#))

4. REMOVE REAR SEATBACK

(See page [BO-101](#) or [BO-106](#))



5. REMOVE QUARTER TRIM

- (a) Remove the bolt and rear seat outer belt floor anchor.

Torque: 41 N·m (420 kgf-cm, 30 ft-lbf)

- (b) w/ Split type rear seat:

Remove the bolt and rear seatback hinge.

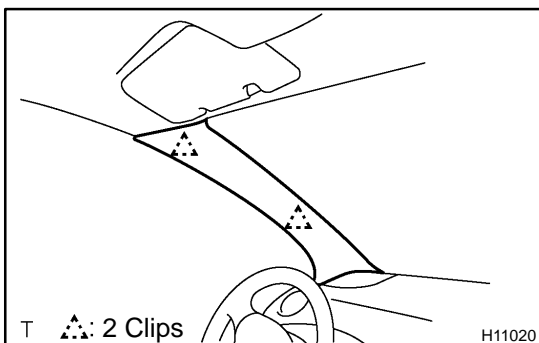
Torque: 41 N·m (420 kgf-cm, 30 ft-lbf)

- (c) Insert a screwdriver between the quarter trim and body to pry it out.

HINT:

Tape the screwdriver tip before use.

- (d) Use the same manner described above to the other side.



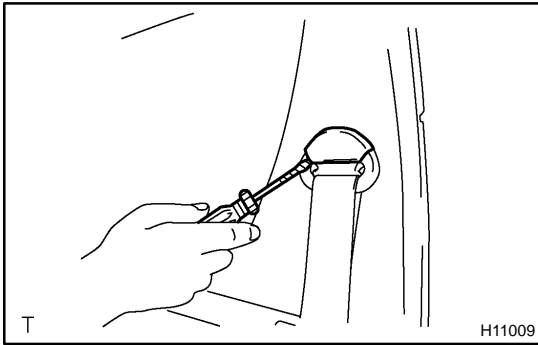
6. REMOVE FRONT PILLAR GARNISH

- (a) Using a screwdriver, remove the front pillar garnish.

HINT:

Tape the screwdriver tip before use.

- (b) Use the same manner described above to the other side.

**7. REMOVE ROOF SIDE INNER GARNISH**

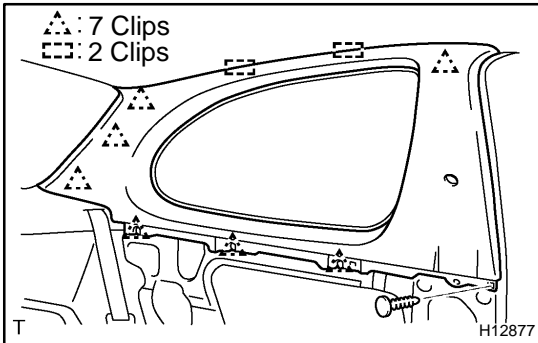
- (a) Using a screwdriver, open the seat belt shoulder anchor cover cap.

HINT:

Tape the screwdriver tip before use.

- (b) Remove the bolt and front seat outer belt shoulder anchor.

Torque: 41 N·m (420 kgf·cm, 30 ft·lbf)



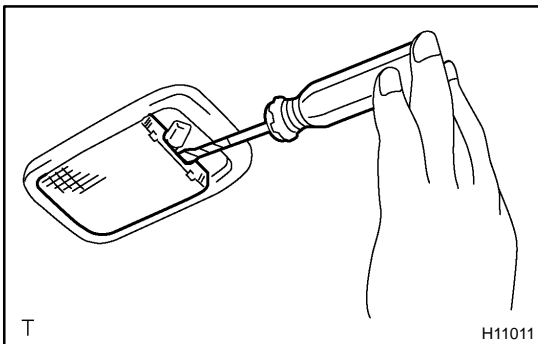
- (c) Remove the clip.

- (d) Insert a screwdriver between the roof side inner garnish and body to pry it out.

HINT:

Tape the screwdriver tip before use.

- (e) Use the same manner described above to the other side.

**8. REMOVE ROOM LIGHT**

- (a) Using a screwdriver, remove the light cover.

HINT:

Tape the screwdriver tip before use.

- (b) Remove the 2 screws and room light.

- (c) Disconnect the connector.

9. REMOVE ASSIST GRIP

- (a) Using a screwdriver, open the caps.

HINT:

Tape the screwdriver tip before use.

- (b) Remove the 2 screws.

- (c) Remove the assist grip.

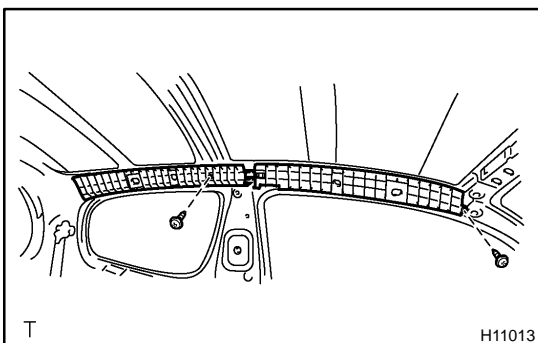
10. REMOVE SUN VISORS AND HOLDERS

- (a) Remove the 4 screws and sun visors.

- (b) Remove the 2 screws and holders.

11. REMOVE ROOF HEADLINING

Remove the 3 clips and roof headlining.

**12. REMOVE FRONT AND REAR SIDE RAIL SPACER**

- (a) Remove the screw and front side rail spacer.

- (b) Remove the screw and rear side rail spacer.

- (c) Use the same manner described above to the other side.