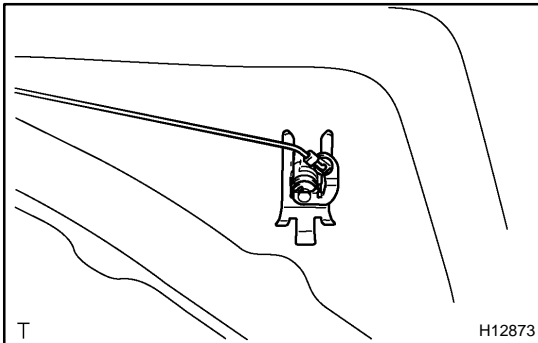


REMOVAL

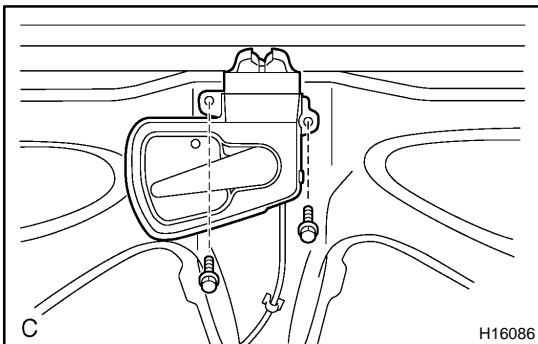
1. REMOVE LUGGAGE COMPARTMENT DOOR COVER

Remove the 5 clips and luggage compartment door cover.



2. REMOVE KEY CYLINDER

- (a) Disconnect the link.
- (b) Remove the clip and key cylinder.



3. REMOVE LUGGAGE COMPARTMENT DOOR LOCK ASSEMBLY

- (a) Remove the 2 bolts and luggage compartment door lock assembly.

Torque: 4.9 N·m (50 kgf·cm, 43 in.-lbf)

- (b) Disconnect the cable.

4. REMOVE LUGGAGE COMPARTMENT DOOR

Remove the 4 bolts and door.

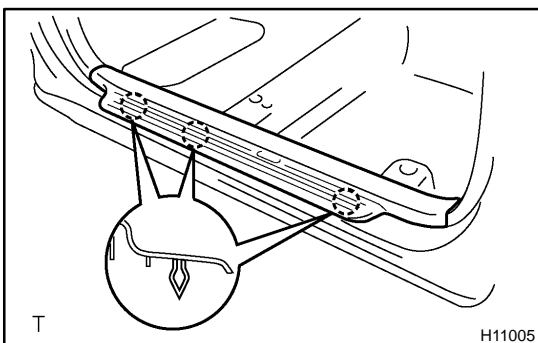
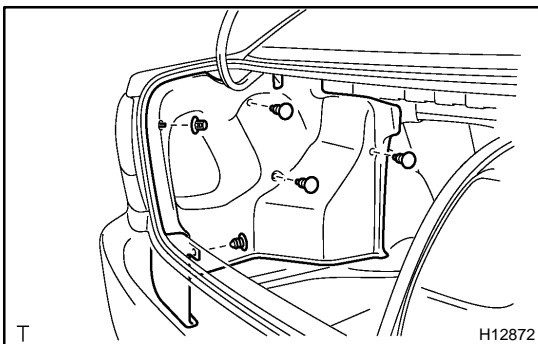
Torque: 8.3 N·m (85 kgf·cm, 74 in.-lbf)

5. REMOVE LUGGAGE COMPARTMENT FLOOR MAT

6. REMOVE LUGGAGE COMPARTMENT TRIM SIDE COVERS

- (a) Remove the 5 clips and luggage compartment trim side cover.

- (b) Use the same manner described above to the other side.



7. 2-Door vehicle:

REMOVE FRONT DOOR SCUFF PLATE

- (a) Insert a screwdriver between the front door scuff plate and body to pry it out.

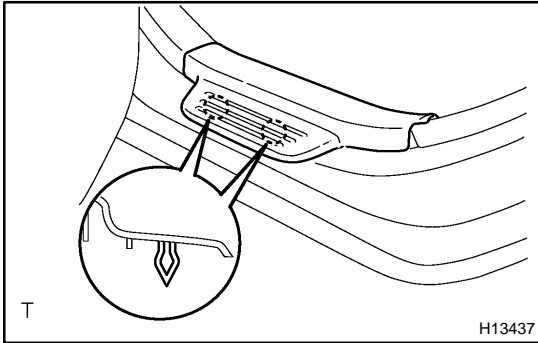
HINT:

Tape the screwdriver tip before use.

- (b) Use the same manner described above to the other side.

8. 2-Door vehicle:**REMOVE FRONT DOOR OPENING TRIMS**

Remove the front door opening trims except cowl side trim part.

**9. 4-Door vehicle:****REMOVE REAR DOOR SCUFF PLATE**

- (a) Insert a screwdriver between the rear door scuff plate and body to pry it out.

HINT:

Tape the screwdriver tip before use.

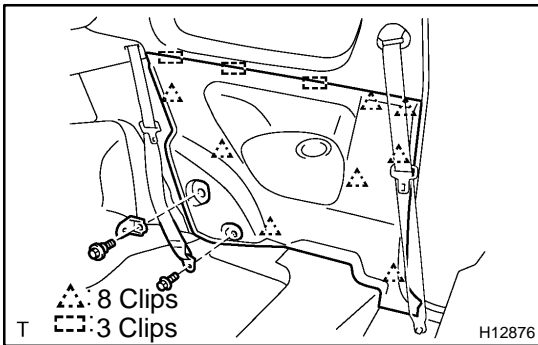
- (b) Use the same manner described above to the other side.

10. 4-Door vehicle:**REMOVE REAR DOOR OPENING TRIMS****11. REMOVE REAR SEAT CUSHION**

(See page [BO-101](#) or [BO-106](#))

12. REMOVE REAR SEATBACK

(See page [BO-101](#) or [BO-106](#))

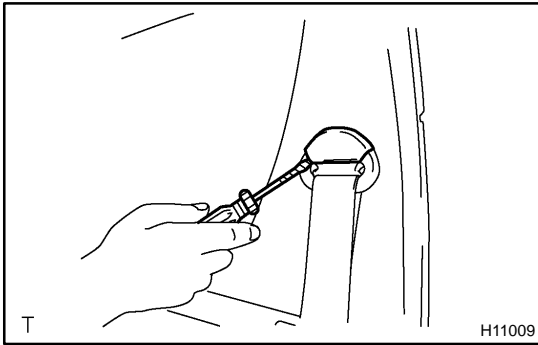
**13. 2-Door vehicle:****REMOVE QUARTER TRIM**

- (a) Remove the bolt and rear seat outer belt floor anchor.
Torque: 41 N·m (420 kgf-cm, 30 ft-lbf)
- (b) w/ Split type rear seat:
Remove the bolt and rear seatback hinge.
Torque: 37 N·m (380 kgf-cm, 27 ft-lbf)
- (c) Insert a screwdriver between the quarter trim and body to pry it out.

HINT:

Tape the screwdriver tip before use.

- (d) Use the same manner described above to the other side.

**14. 2-Door vehicle:****REMOVE ROOF SIDE INNER GARNISH**

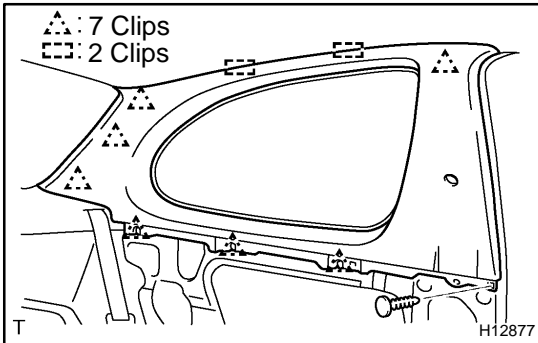
- (a) Using a screwdriver, open the seat belt shoulder anchor cover cap.

HINT:

Tape the screwdriver tip before use.

- (b) Remove the bolt and front seat outer belt shoulder anchor.

Torque: 41 N·m (420 kgf·cm, 30 ft·lbf)



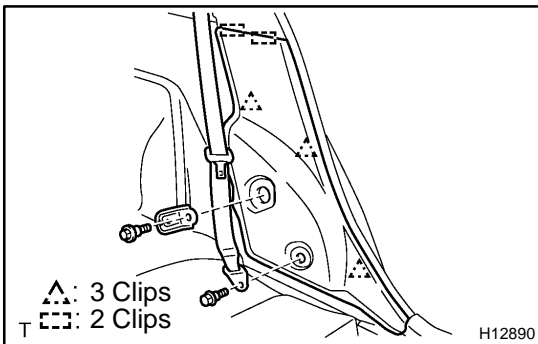
- (c) Remove the clip.

- (d) Insert a screwdriver between the roof side inner garnish and body to pry it out.

HINT:

Tape the screwdriver tip before use.

- (e) Use the same manner described above to the other side.

**15. 4-Door vehicle:****REMOVE REAR SEAT SIDE GARNISH**

- (a) Remove the bolt and rear seat outer belt floor anchor.

Torque: 41 N·m (420 kgf·cm, 30 ft·lbf)

- (b) w/ Split type rear seat:

Remove the bolt and rear seatback hinge.

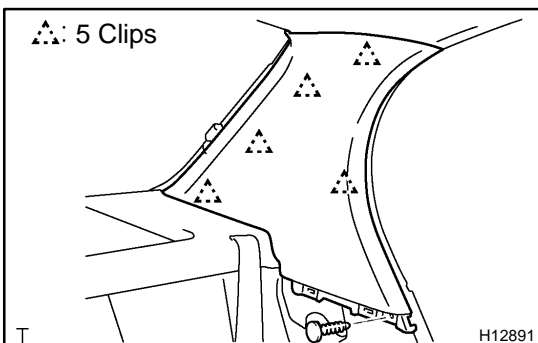
Torque: 41 N·m (420 kgf·cm, 30 ft·lbf)

- (c) Using a screwdriver, remove the rear seat side garnish.

HINT:

Tape the screwdriver tip before use.

- (d) Use the same manner described above to the other side.

**16. 4-Door vehicle:****REMOVE ROOF SIDE INNER GARNISH**

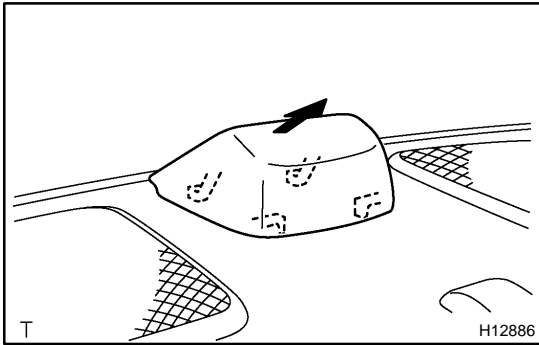
- (a) Remove the clip.

- (b) Insert a screwdriver between the roof side inner garnish and body to pry it out.

HINT:

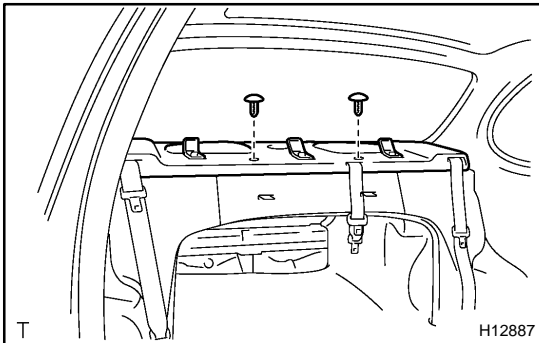
Tape the screwdriver tip before use.

- (c) Use the same manner described above to the other side.



17. REMOVE HIGH-MOUNTED STOP LIGHT

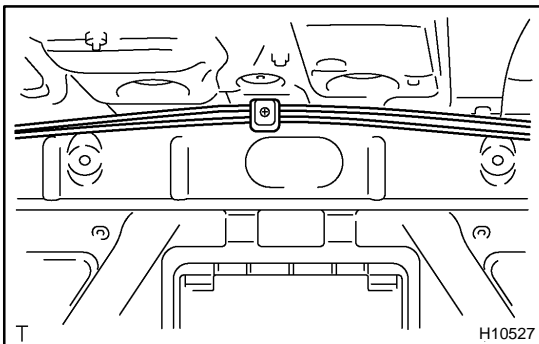
- (a) Remove the high-mounted stop light as shown in the illustration.
- (b) Disconnect the connector.



18. REMOVE PACKAGE TRAY TRIM PANEL

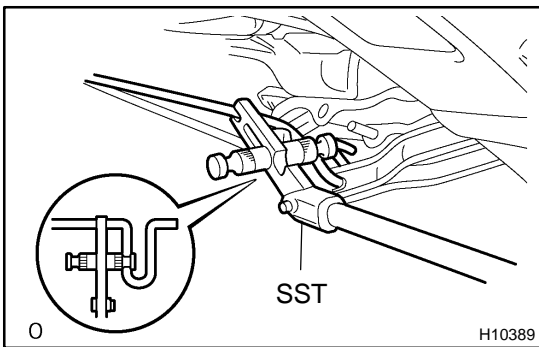
- (a) Remove the 2 clips.
- (b) Remove the rear seat belts through the cutout on the package tray trim.
- (c) Pull the package tray trim panel forward to remove it.

19. REMOVE PACKAGE TRAY TRIM SILENCER PAD

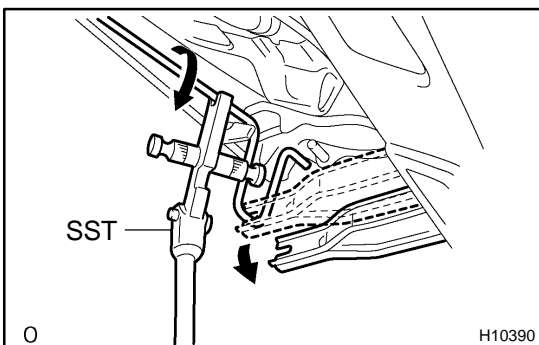


20. REMOVE TORSION BAR

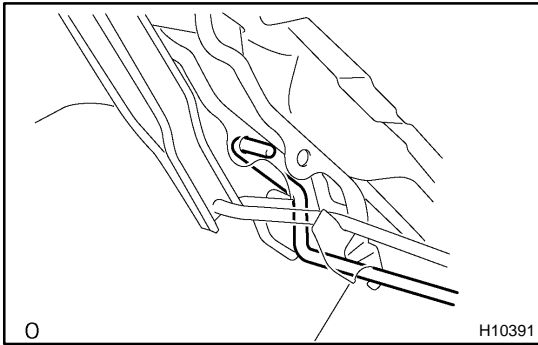
- (a) Remove the torsion bars from the center bracket.



- (b) Install SST to the torsion bar on the hinge side.
SST 09804-24010



- (c) Push down on SST, and pull the luggage compartment door hinge from the torsion bar.
- (d) Slowly lift SST, and remove the torsion bar from the torsion bar bracket with SST.



- (e) Disconnect the torsion bar from the bracket.
 - (f) Use the same manner described above to the other side.
- 21. REMOVE LUGGAGE COMPARTMENT DOOR HINGE**
- (a) Remove the pin.
 - (b) Remove the hinge.
 - (c) Use the same manner described above to the other side.
- 22. REMOVE LUGGAGE COMPARTMENT WEATHERSTRIP**