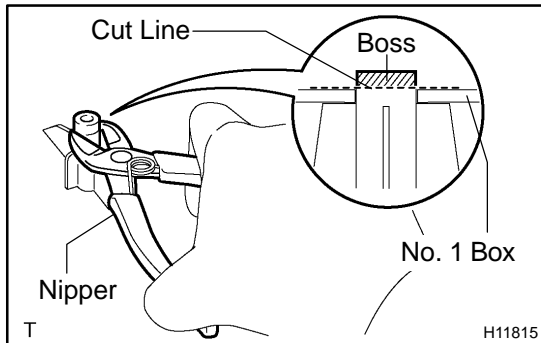


REASSEMBLY

NOTICE:

Never use airbag parts from another vehicle. When replacing parts, replace them with new parts.

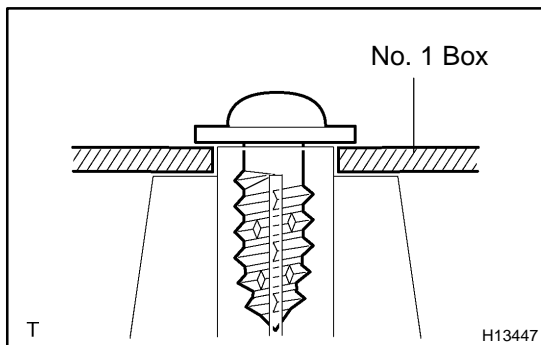


1. **When replacing instrument panel lower:
INSTALL NO. 1 BOX**

(a) Cut off the boss using a nipper to make the level of the surface equal to the No. 1 box.

NOTICE:

Ensure that the cut surface is flush with the surface of No. 1 box to prevent looseness.



(b) Install the No. 1 box securely on the instrument panel with the tapping screw provided in the same packing.

HINT:

Use the same manner to instrument panel upper.

2. **When reusing instrument panel lower:
INSTALL NO. 1 BOX**

Install the No. 1 box to the instrument panel lower with the screw.

3. **INSTALL NO. 1, NO. 2 AND NO. 3 HEATER TO REGISTER DUCT**
4. **INSTALL NO. 1 AND NO. 2 SIDE DEFROSTER NOZZLE DUCT**
5. **INSTALL REGISTERS**

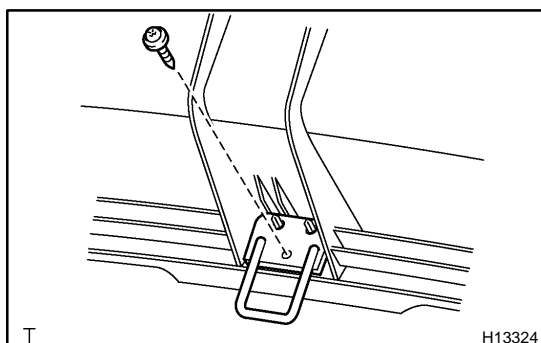
HINT:

For step 2 and 3, install them in the same way as No. 1 box.

6. **INSTALL NO. 2 BOX**

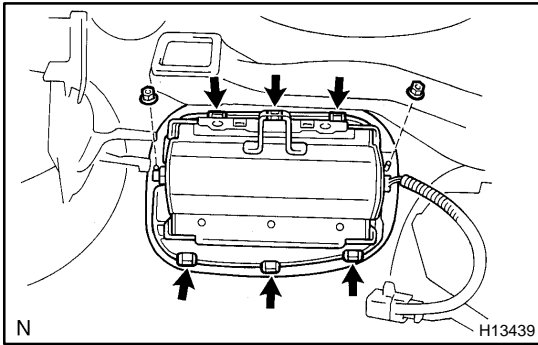
Install the No. 2 box with the 2 screws.

7. **INSTALL DOOR**



8. **INSTALL CENTER BRACKET**

Install the center bracket with the screw.



- 9. INSTALL FRONT PASSENGER AIRBAG ASSEMBLY**
- Install the front passenger airbag assembly to the instrument panel.
 - Install the 2 nuts.

NOTICE:

If the front passenger airbag assembly has been dropped, or there are cracks, dents or other defects in the case or connector, replace the front passenger airbag assembly with a new one.