

DISASSEMBLY

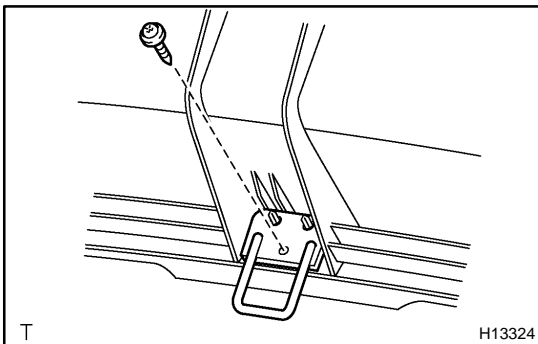
1. **REMOVE FRONT PASSENGER AIRBAG ASSEMBLY**
 - (a) Remove the 2 nuts holding the front passenger airbag assembly to the instrument panel.
 - (b) Pry up the 6 clips shown in the illustration.
 - (c) Remove the front passenger airbag assembly from the instrument panel.

CAUTION:

- Do not store the front passenger airbag assembly with the airbag deployment side facing down.
- Never disassemble the front passenger airbag assembly.

NOTICE:

When removing the front passenger airbag assembly, take care not to damage the wire harness.



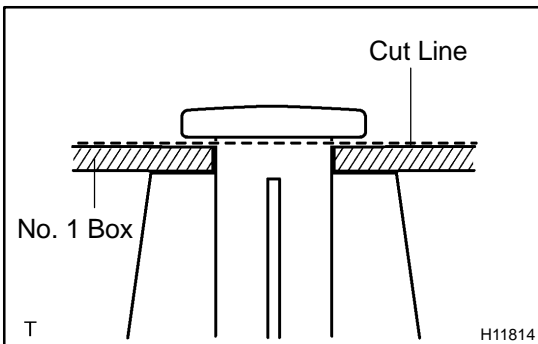
2. REMOVE CENTER BRACKET

Remove the screw and center bracket.

3. REMOVE DOOR

4. REMOVE NO. 2 BOX

Remove the 2 screws and No. 2 box.



5. REMOVE NO. 1 BOX

- (a) When installed by ultrasonic welding:
Using a nipper, cut off the ultrasonic welding portion of the instrument panel along the No. 1 box to remove the No. 1 box from the instrument panel lower.
- (b) When installed with screw:
Remove the screw and No. 1 box from the instrument panel lower.

6. REMOVE REGISTERS

7. REMOVE NO. 1, NO. 2 AND NO. 3 HEATER TO REGISTER DUCT

HINT:

For step 6 and 7, remove them in the same way as No.1 box.