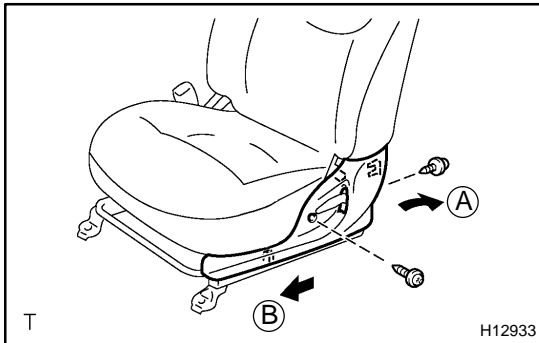


DISASSEMBLY

1. REMOVE HEADREST
2. REMOVE RECLINING RELEASE HANDLE



3. REMOVE SEAT CUSHION SHIELD

Remove the 2 screws and seat cushion shield as shown in the illustration.

HINT:

Remove the seat cushion shield in order A, B as shown in the illustration.

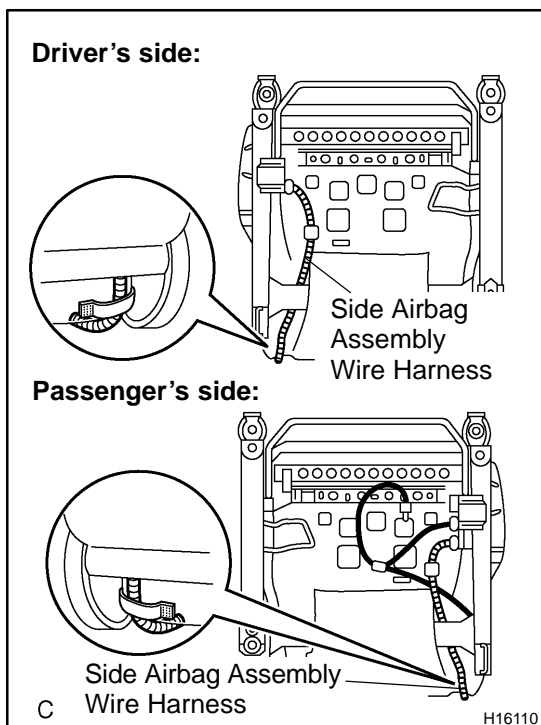
4. REMOVE FRONT SEAT INNER BELT

Remove the bolt and front seat inner belt.

Torque: 41 N·m(420 kgf·cm, 30 ft·lbf)

5. REMOVE SEAT CUSHION INNER SHIELD

Remove the clip, screw and seat cushion inner shield.



6. REMOVE SEATBACK ASSEMBLY

- (a) w/ Side airbag:
Disconnect and disengage the connector and wire harness.

NOTICE:

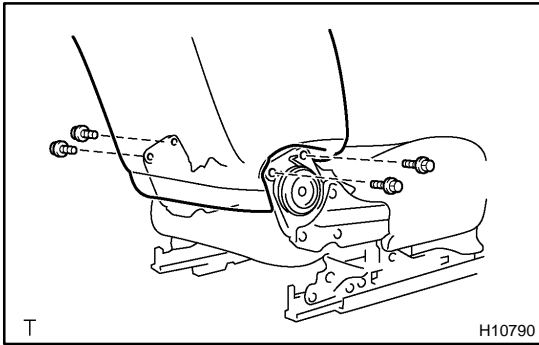
Be careful not to damage the connector and wire harness.

- (b) Remove the hog rings.

HINT:

At the time of reassembly, please refer to following item.

When installing hog rings, take care to prevent wrinkles as little as possible.

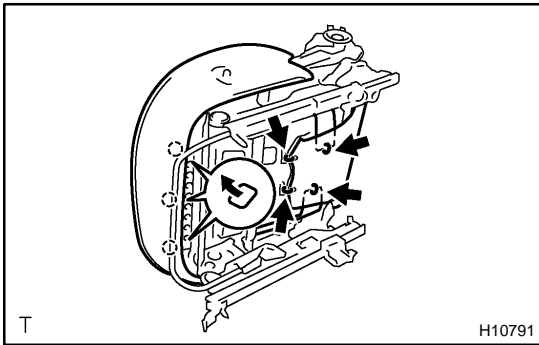


(c) Remove the 4 bolts and seatback assembly.

Torque: 43 N·m (440 kgf-cm, 32ft-lbf)

7. REMOVE SEATBACK PAD WITH COVER

- (a) Remove the headrest supports.
- (b) Remove the seatback pad with cover from the seatback frame.



8. REMOVE SEAT CUSHION PAD WITH COVER

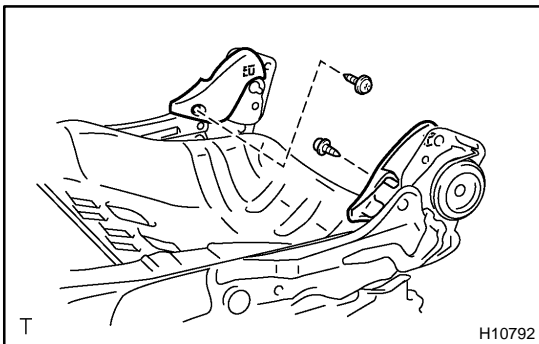
- (a) Remove the hog rings.

HINT:

At the time of reassembly, please refer to following item.

When installing hog rings, take care to prevent wrinkles as little as possible.

- (b) Disengage the seat cushion cover hooks and remove the seat cushion cover with pad from the seat cushion frame.



9. REMOVE RECLINING ADJUSTER INSIDE COVERS

Remove the 2 screws and 2 reclining adjuster inside covers.

10. REMOVE SEAT TRACK HANDLE