

REPLACEMENT

1. REPLACE TRANSMITTER (LITHIUM) BATTERY

NOTICE:

Special caution should be taken for handling each component as they are precision electronic components.

(a) Using a screwdriver, remove the cover.

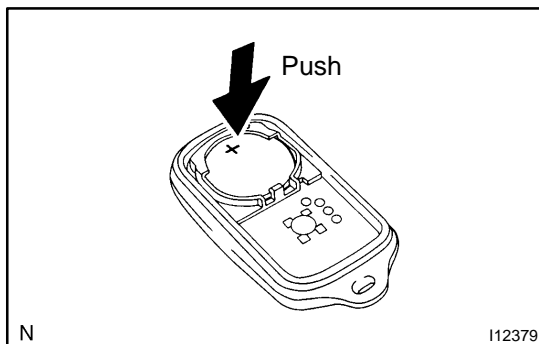
NOTICE:

Do not pry out the cover forcibly.

HINT:

Push the cover with a finger as shown in the illustration, so that there becomes clearance, then pry out the cover from that clearance.

(b) Remove the transmitter.



(c) Remove the battery (lithium battery) as shown in the illustration.

NOTICE:

- Do not push the terminals with a finger.
- If prying up the battery (lithium battery) forcibly to remove, the terminals are deformed.

(d) Install a battery (lithium battery).

NOTICE:

Face the battery upward. Take care not to deform the terminals.

(e) Check that the rubber cover is not distorted or slipped off, and install the cover.

NOTICE:

When the screws are tightened loosely, it might cause faulty contact of battery (lithium battery) and terminals.

2. REPLACE DOOR CONTROL RECEIVER AND TRANSMITTER

NOTICE:

When replacing the door control receiver and transmitter, registration of recognition code is necessary because they are provided as single components.

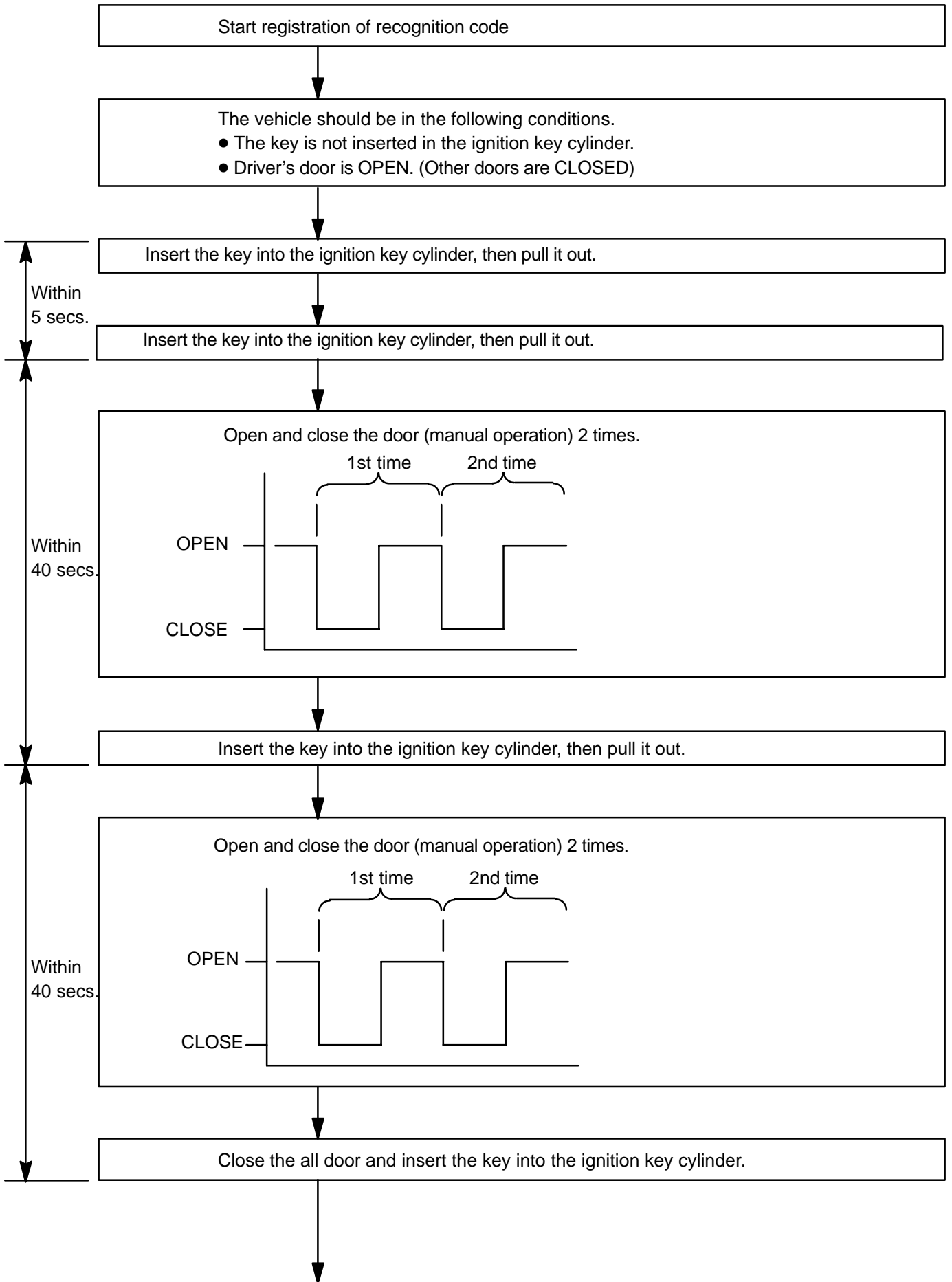
- (a) Select which operation mode should be performed from the following modes.
- Add mode
 - Rewrite mode
 - Prohibition mode
 - Confirmation mode

HINT:

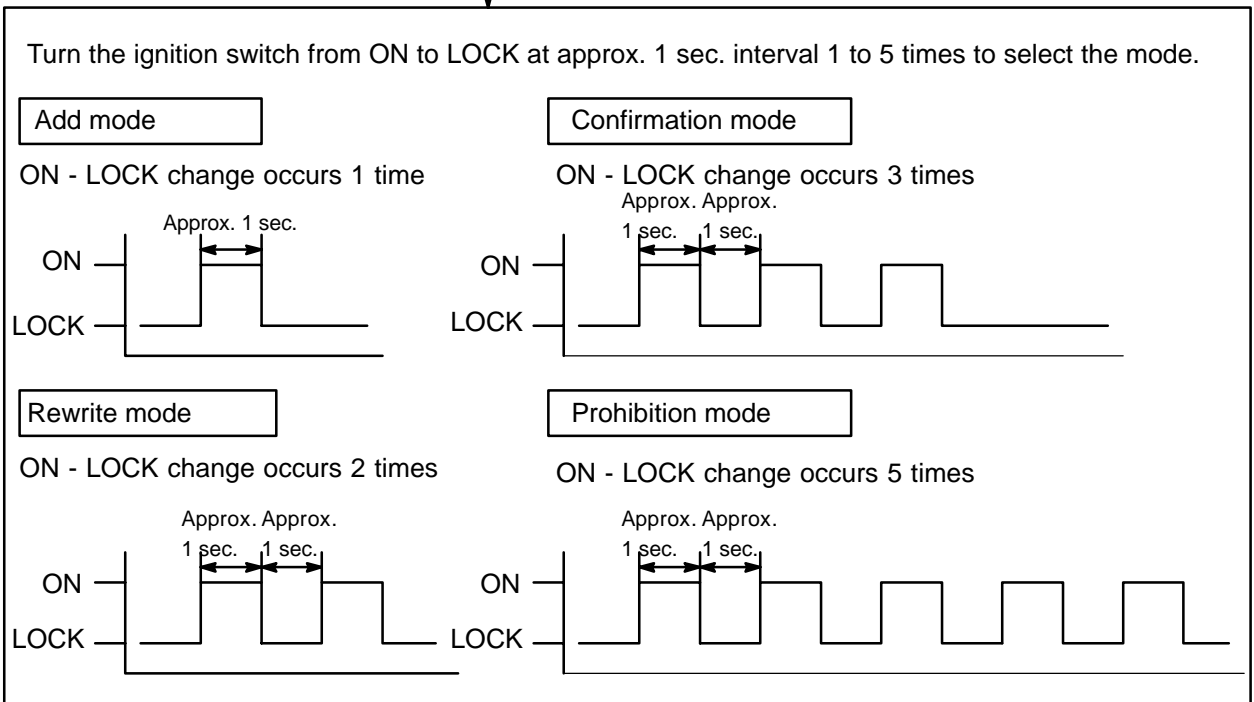
- The add mode is used to retain codes already registered while you register new recognition codes. This mode is used when adding a transmitter. However, if the number of registered codes exceeds 4 codes, previously registered codes are correspondingly erased in order, starting from the first registered code.
 - The rewrite mode is used to erase all previously registered codes and register only new recognition codes.
 - The prohibition mode is used to erase all registered codes and cancels the wireless door lock function. Use this mode when the transmitter is lost.
 - The confirmation mode is for confirming how many recognition codes are already registered before you register additional recognition codes.
- (b) Follow the chart on the following pages to register the transmitter recognition code at the wireless door lock control receiver.

HINT:

- When procedure is out of the specified, the operation returns to normal operation.
- Maximum 4 recognition codes can be registered.

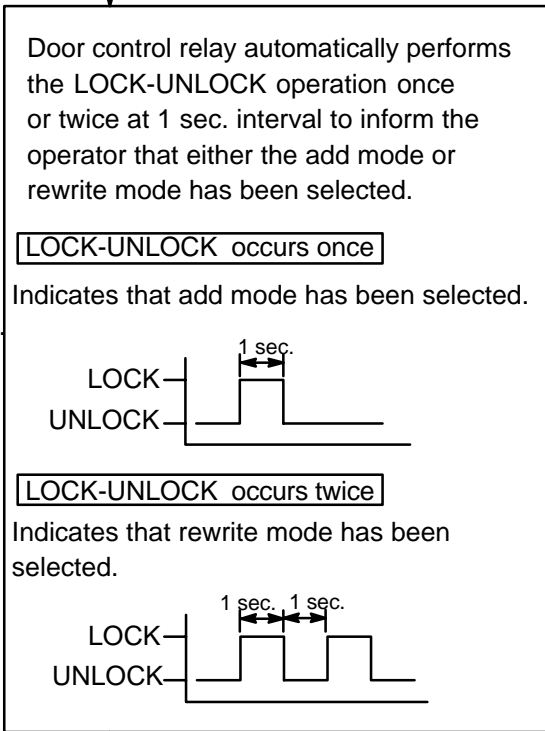


BODY ELECTRICAL - WIRELESS DOOR LOCK CONTROL SYSTEM



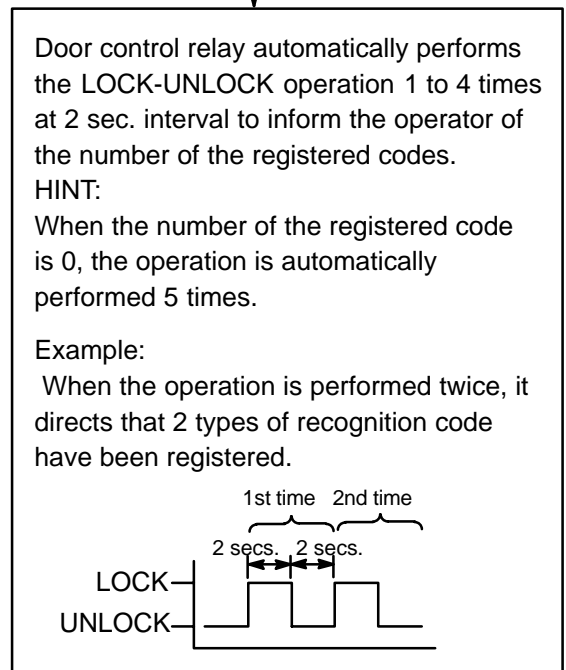
Pull out the key from the ignition key cylinder.

When add mode or rewrite mode is selected.



When prohibition mode is selected.

When confirmation mode is selected.



Registration of recognition code (Confirmation mode and prohibition mode) is completed.

