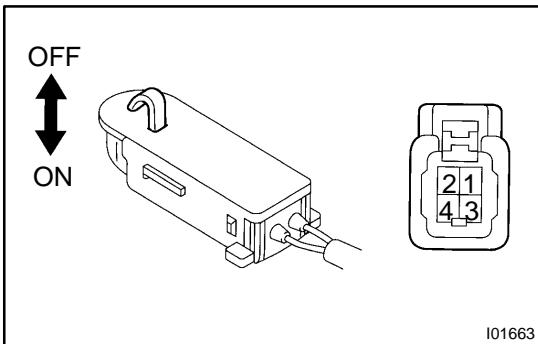


## INSPECTION

### 1. INSPECT IGNITION SWITCH CONTINUITY

Switch position	Tester connection	Specified condition
LOCK	-	No continuity
ACC	1 - 3	Continuity
ON	1 - 2 - 3 5 - 6	Continuity
START	1 - 2 4 - 5 - 6	Continuity

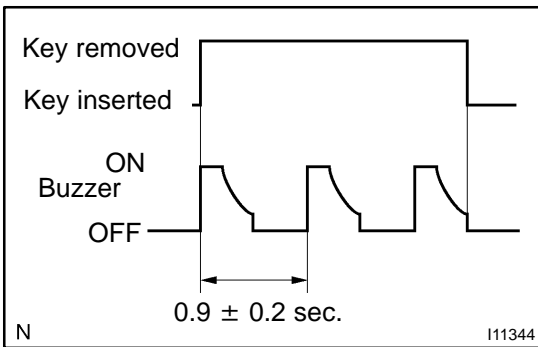
If continuity is not as specified, replace the switch.



### 2. INSPECT KEY UNLOCK WARNING SWITCH CONTINUITY

Switch position	Tester connection	Specified condition
OFF (Key removed)	-	No continuity
ON (Key set)	1 - 2	Continuity

If continuity is not as specified, replace the switch.



### 3. INSPECT KEY UNLOCK WARNING BUZZER

Check that the buzzer sound when driver's door is opened and key inserted.

If operation is not as specified, replace the combination meter. (See page [BE-42](#) )