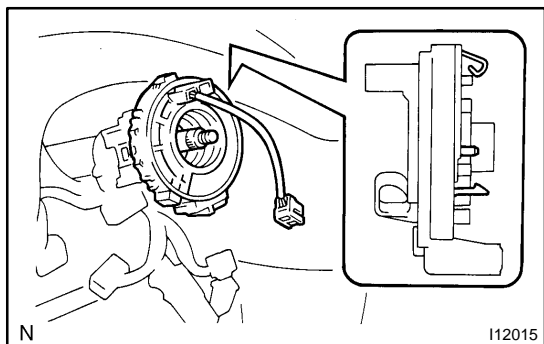


DISASSEMBLY

1. REMOVE STEERING WHEEL (See page [SR-13](#))



2. REMOVE SPIRAL CABLE

Remove the spiral cable from the turn signal bracket.