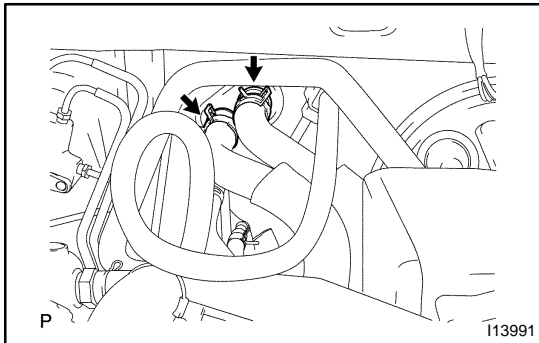


REMOVAL

1. DRAIN ENGINE COOLANT FROM RADIATOR

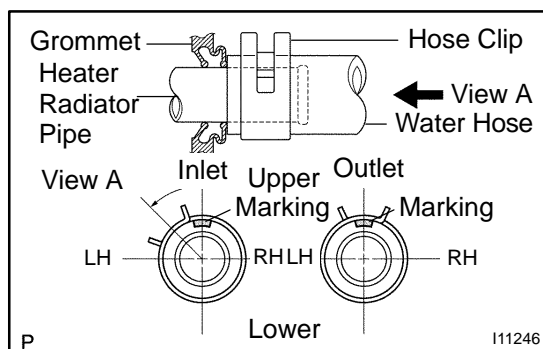
HINT:

It is not necessary to drain out all the coolant.



2. DISCONNECT WATER HOSES FROM HEATER RADIATOR PIPES

- Using pliers, grip the claws of the hose clip and slide the clip along the hose.
- Disconnect the water hoses.
- Remove the grommet.

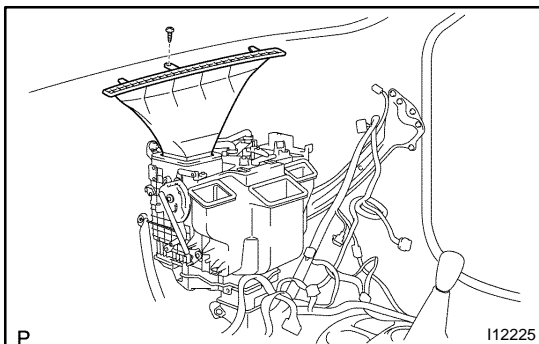


HINT:

At the time of installation, please refer to the following items.

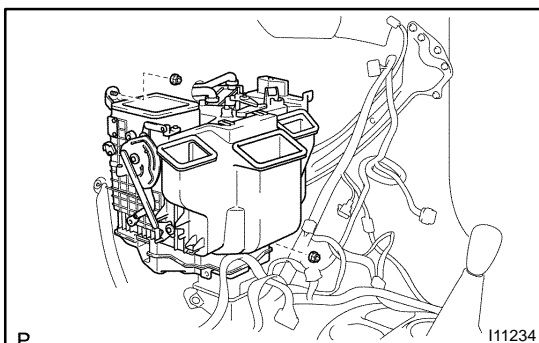
- Push the water hose onto the heater radiator pipe as far as the grommet.
- Install the hose clip in a position, as shown in the illustration.

3. REMOVE A/C UNIT (See page AC-27)



4. REMOVE HEATER UNIT

- Remove the screw and defroster nozzle.
- PTC heater and two way flow heater models only:
Disconnect the connectors.



- Remove the 2 floor carpet set clips.
- Remove the 2 nuts and heater unit.