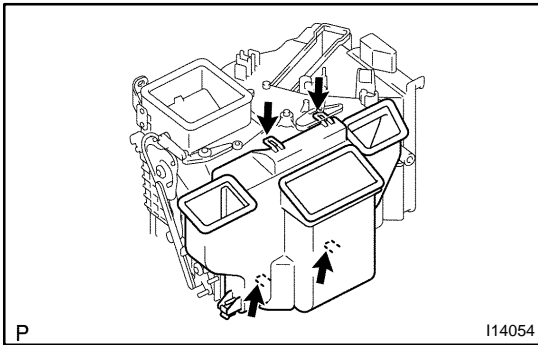


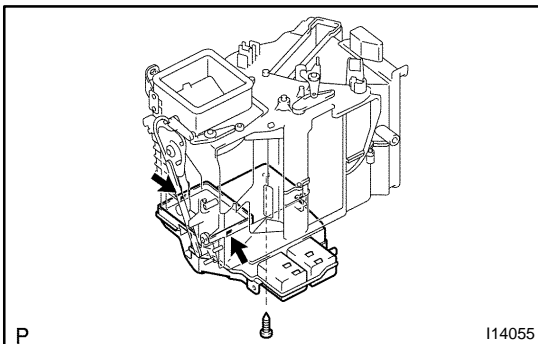
DISASSEMBLY

1. **REMOVE HEATER RADIATOR**
 - (a) PTC heater models only:
Disconnect the connector clamp.
 - (b) Remove the screw and clamp.
 - (c) Pull out the heater radiator.



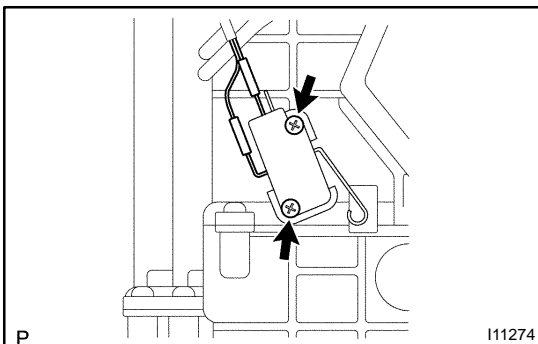
2. **REMOVE AIR DUCT**

Release the 4 claws and remove the air duct.



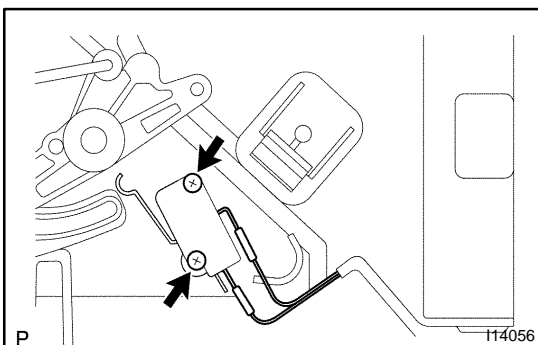
3. **REMOVE HEATER COVER**

Release the 2 claws, remove the screw and heater cover.



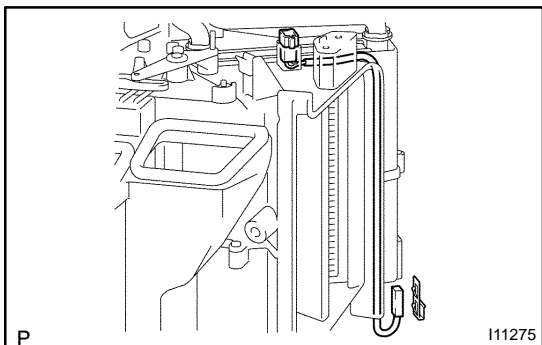
4. **Two way flow heater models only:
REMOVE MICRO SWITCH (for FOOT, FOOT / DEF. mode)**

- (a) Disconnect the connector.
- (b) Remove the connector set screw.
- (c) Remove the 2 screws and switch.



5. **Two way flow heater models only:
REMOVE MICRO SWITCH (for MAX. WARM)**

Remove the 2 screws and switch.

**6. w/ PTC heater models only:****REMOVE WATER TEMPERATURE SENSOR**

- (a) Disconnect the connector clamp.
- (b) After pulling off the clamp, pull out the sensor.

7. PTC heater and two way flow heater models only:**REMOVE WIRE HARNESS**

Remove the screw and wire harness.