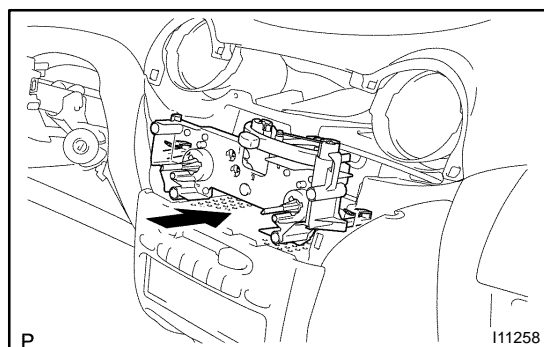
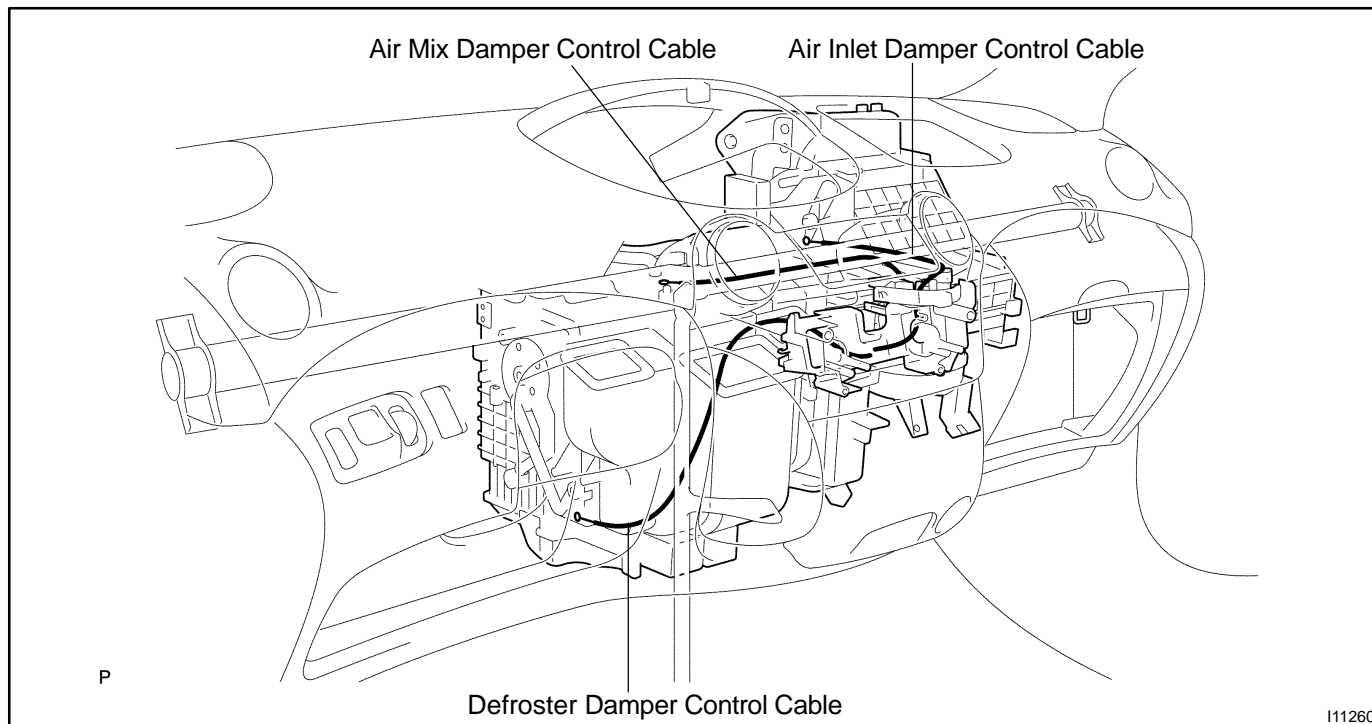


INSTALLATION

1. INSTALL HEATER CONTROL ASSEMBLY

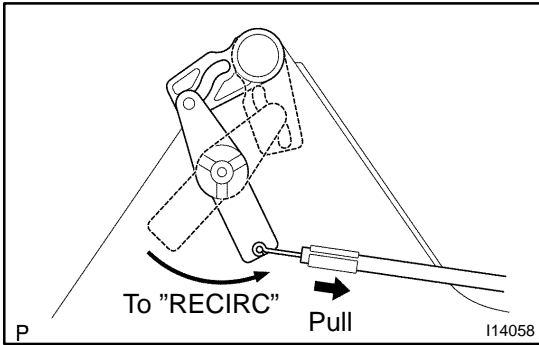
- (a) Install the heater control assembly temporarily.
- (b) Pass the heater control cables as shown in the illustration.



- (c) Fit the 2 claws of heater control assembly in the instrument panel hole.

2. CONNECT HEATER CONTROL CABLES

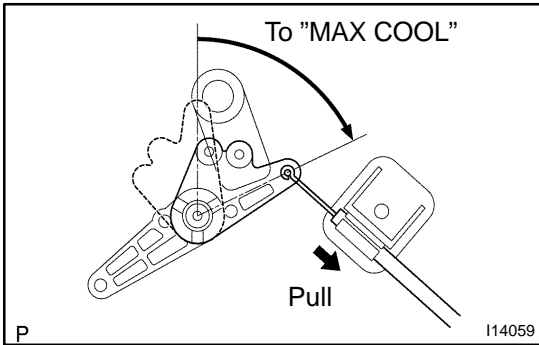
- (a) Set air inlet selector to "RECIRC" position.
- (b) Set temperature control selector to "MAX. COOL" position.
- (c) Set mode selector to "FACE" position.



- (d) Standard heater models only:
Adjust air inlet control cable.
Set air inlet damper control lever to "RECIRC" position and connect the inner cable to lever pin and clamp the outer cable.

HINT:

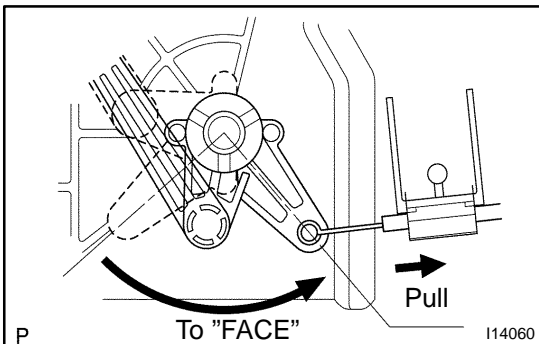
Lock the clamp while lightly pulling the outer cable to the direction shown by arrow in the illustration.



- (e) Adjust air mix control cable.
Set air mix damper control lever to "MAX. COOL" position and connect the inner cable to lever pin and clamp the outer cable.

HINT:

Lock the clamp while lightly pulling the outer cable to the direction shown by arrow in the illustration.



- (f) Adjust defroster control cable.
Pull the air inlet control link to "FACE" position, connect the control cable and lock the clamp.

HINT:

Lock the clamp while lightly pulling the outer cable to the direction shown by arrow in the illustration.

3. **INSTALL COMBINATION METER**
4. **INSTALL CLUSTER FINISH PANEL (Combination meter)**
5. **INSTALL FRONT PASSENGER AIRBAG ASSEMBLY (See page RS-37)**
6. **INSTALL CLUSTER FINISH PANEL**