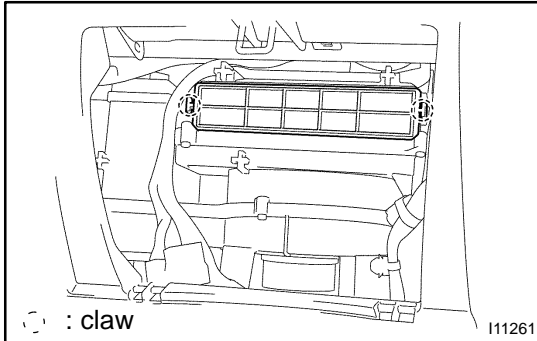


AIR REFINER FILTER REPLACEMENT

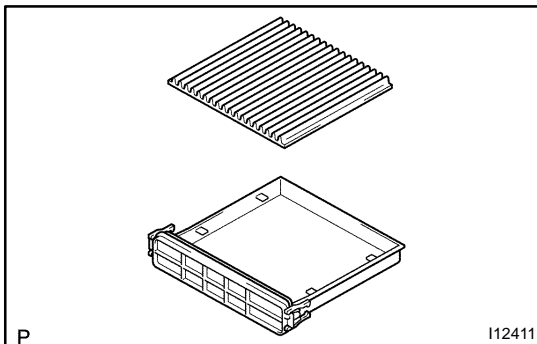
AC29H-03

1. REMOVE GLOVE COMPARTMENT DOOR



2. REPLACE AIR REFINER FILTER

(a) Release the 2 claws and pull out the filter case.



(b) Remove the filter.

(c) Install the new filter.

(d) Install the filter case to A/C unit.

3. INSTALL GLOVE COMPARTMENT DOOR